

Contents, Specifications & Remarks..... 1

Product List ..... 2 to 5

Pin Jacks Horizontal Type

    Single ..... 6 to 8

    Dual Horizontal Arrayal ..... 9 to 11

    Triple Horizontal Arrayal ..... 12 to 13

Pin Jacks Vertical Type

    Single ..... 14 to 15

    Dual ..... 16 to 17

    Triple ..... 18

**Specifications**

Contact Resistance

(1) Between Plug and Terminals : 30 m max.

(2) Switch Part : 30 m Max.

Insulation Resistance: 100 M min. at 500 V DC

Dielectric Strength : 500 V AC (r.m.s.) for 1 minute

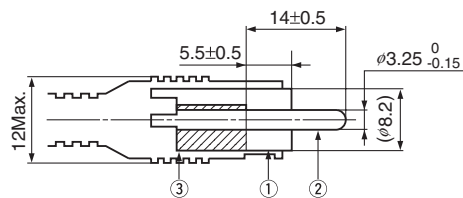
Insertion Force : 30 N max.

Withdrawal Force : 1 N to 15 N

**Remarks**

**Mate Plug**  
Conforming to EIAJ RC-5231 Standard

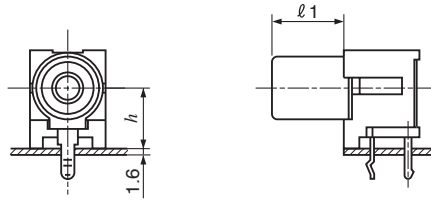
Unit: mm



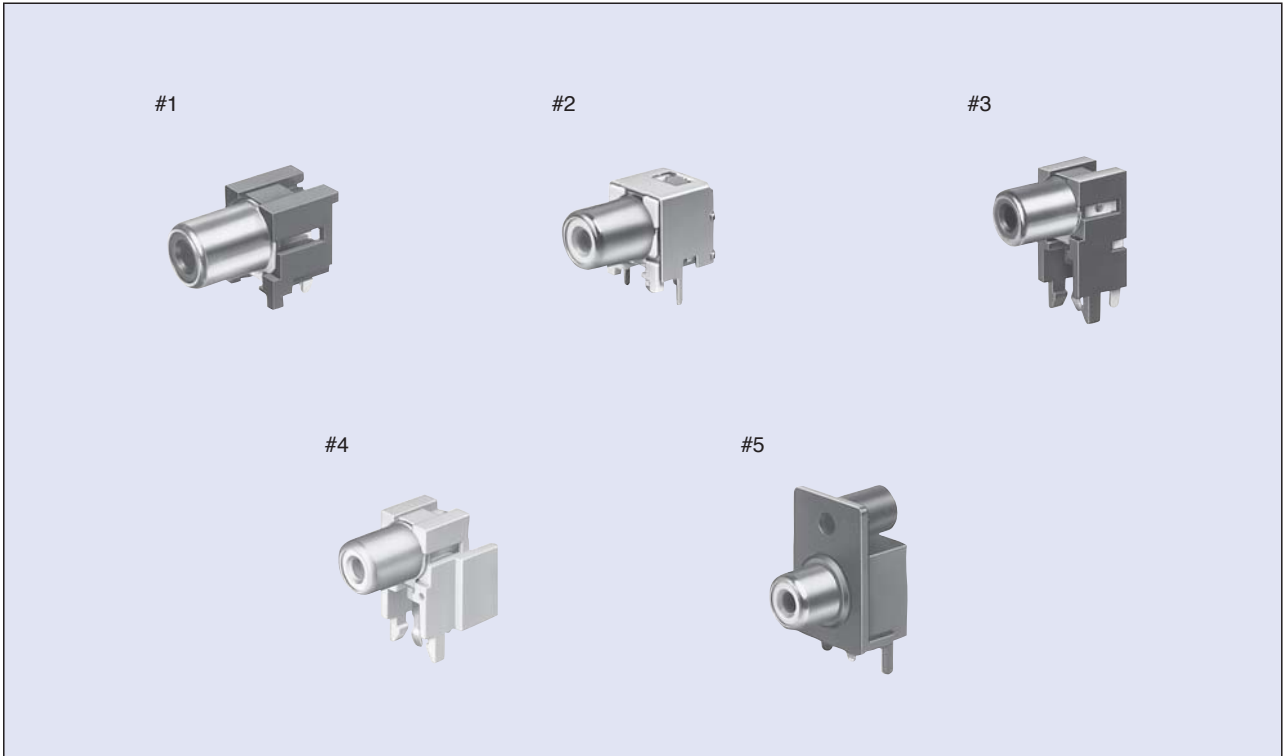
- ① Plugcover
- ② Plugpin
- ③ Insulator

## Product List (Horizontal Type Single Pin Jacks)

Unit: mm



### Shape



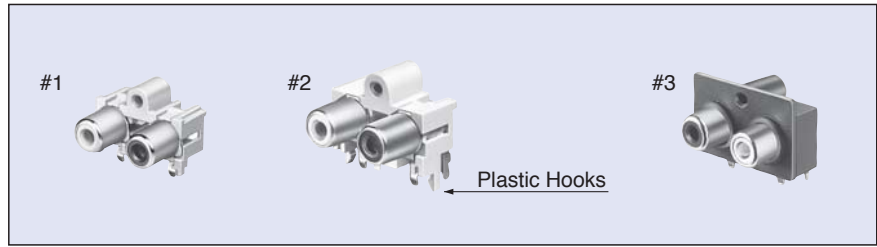
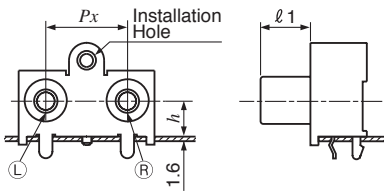
### H Type Single Pin Jacks

$h$ mm	$l1$ mm	Plastic Hooks	Shape				
6.5	9.5		#1	JPJ2025	JPJ1025	JPJ4025	JPJ5025
			#2	JPJ1225	JPJ1125	JPJ1425	—
	11.5		#1	JPJ0876	JPJ0877	JPJ0935	—
8	9.5		#1	JPJ2018	JPJ1018	JPJ4018	—
			#5	JPJ1044	JPJ1054	—	—
	11.5		#1	JPJ1093	JPJ1094	—	—
12.5	9.5	With	#3	JPJ2023	JPJ1023	—	—
		With	#4	JPJ2723	JPJ1723	—	—

## Product List (Horizontal Type Dual-, Triple- Pin Jacks Horizontal Array)

Unit: mm

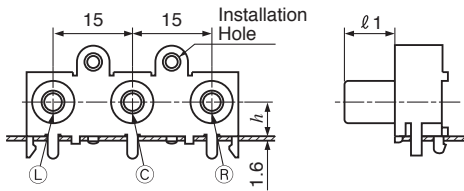
### Shape



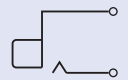
### H Type Dual Pin Jacks

h mm	Px mm	l 1 mm	Shape	Plastic Hooks	Installation Hole	L	R	L	R	L	R	L	R
					With / Without								
6.5	15	9.5	#1		With								
					Without	JPJ1611	JPJ1621	JPJ1612	JPJ1622				
8	14		#2	With	With	JPJ0911	JPJ0971	JPJ0970	JPJ0912				
					Without	JPJ2911	—	—	—				
	15		#1	With	JPJ2811	—	—	JPJ2822					
				Without	JPJ1811	—	—	—					
	8.2	#3	With	JPJ2042	—	—	JPJ1042						

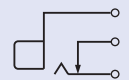
### Shape



0 : Without Switch



1 : With Switch



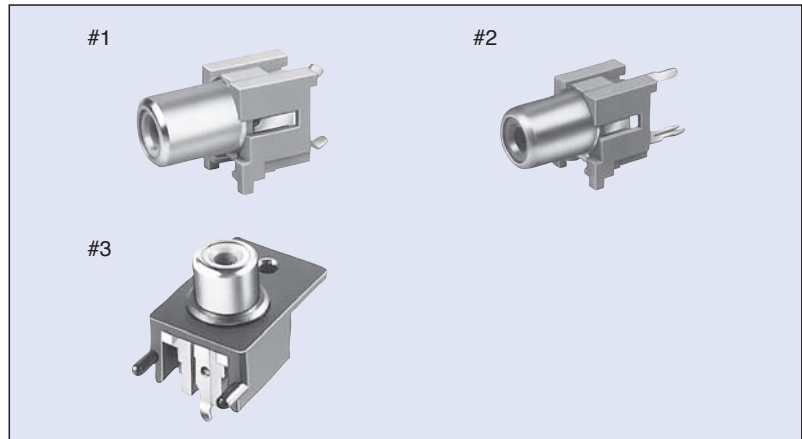
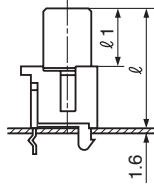
### H Type Triple Pin Jacks

h mm	l 1 mm	Shape	Plastic Hooks	Installation Hole	L	C	R	L	C	R	L	C	R	L	C	R
				With / Without												
6.5	9.5	#1		With	—	—	JPJ4663	—	—	JPJ4666	JPJ4667	JPJ4668				
				Without	JPJ3661	JPJ3662	JPJ3663	—	JPJ3665	JPJ3666	JPJ3667	JPJ3668				
	8.5	#2		With	—	—	—	—	JPJ1205	—	JPJ1063	JPJ2063				
8	9.5	#1	With	With	—	—	—	—	—	—	—	JPJ4648				
				Without	—	—	JPJ3643	—	—	—	—	JPJ3648				
	8.5	#2		With	—	—	JPJ0955	JPJ0951	JPJ0956	JPJ1106	JPJ1043	JPJ2043				
12.5	8.5	#3		With	—	JPJ0963	—	—	—	—	—	—				

## Product List (Vertical Type Single Pin Jacks, Dual- Pin Jacks)

Unit: mm

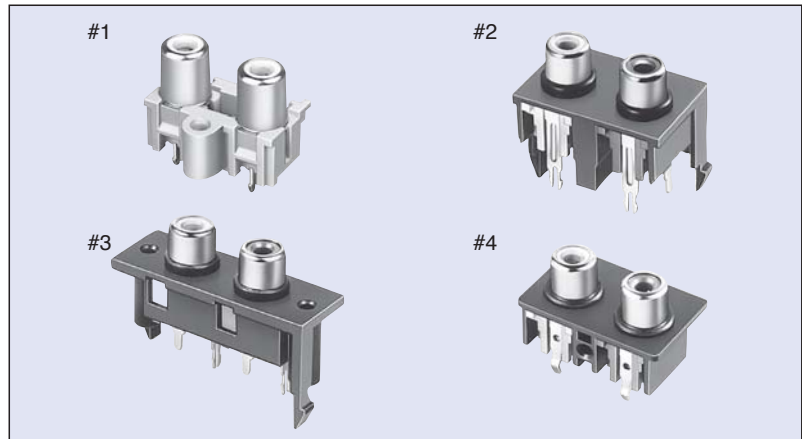
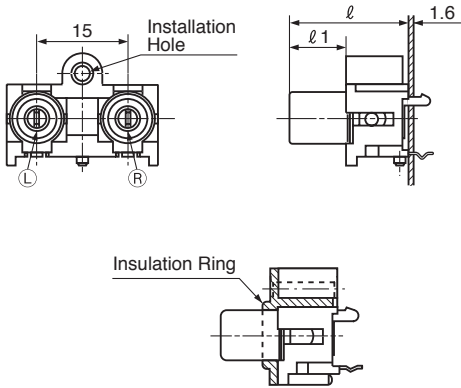
### Shape



### V Type Single Pin Jacks

$l$ mm	$l_1$ mm	Shape				
19.5	9.5	#1	JPJ2022	JPJ1022	JPJ4022	JPJ5022
23.5		#2	JPJ0870	JPJ0871	JPJ0923	JPJ1088
19.5	8.2	#3	JPJ1055	—	—	—

### Shape

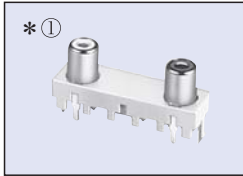
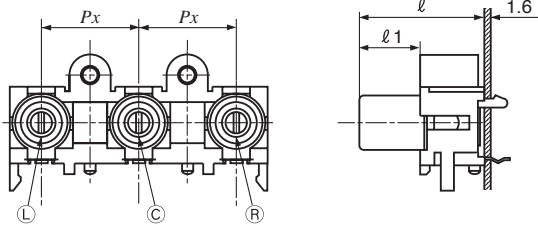


### V Type Dual Pin Jacks

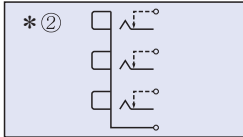
$l$ mm	$l_1$ mm	Shape	Insulation Ring	Installation Hole				
				With / Without				
19.5	9.5	#1		With	JPJ3911	JPJ3921	JPJ3912	—
				Without	JPJ3811	JPJ3821	JPJ3812	JPJ3822
23.5	8.5	#2	With	With	JPJ2082	JPJ1081	JPJ0873	JPJ1082
		#3	With	With	JPJ1151	JPJ1154	JPJ1153	JPJ1152
		#3	With	With	JPJ1161	—	—	—
19.5	8.2	#4	With	With	JPJ2052	—	JPJ1051	JPJ1052

## Product List (Vertical Type Triple Pin Jacks)

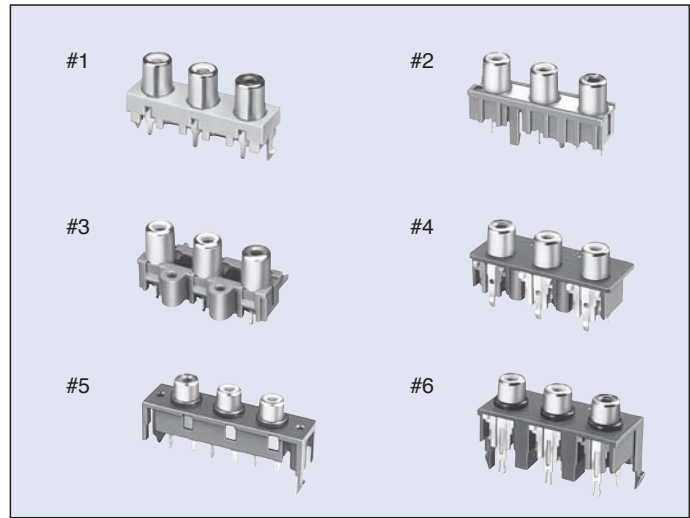
Unit: mm



\*1 Available Dual Pin Jacks Type



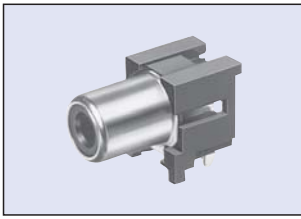
\*2 JPJ1127 Versions have Common Grounding



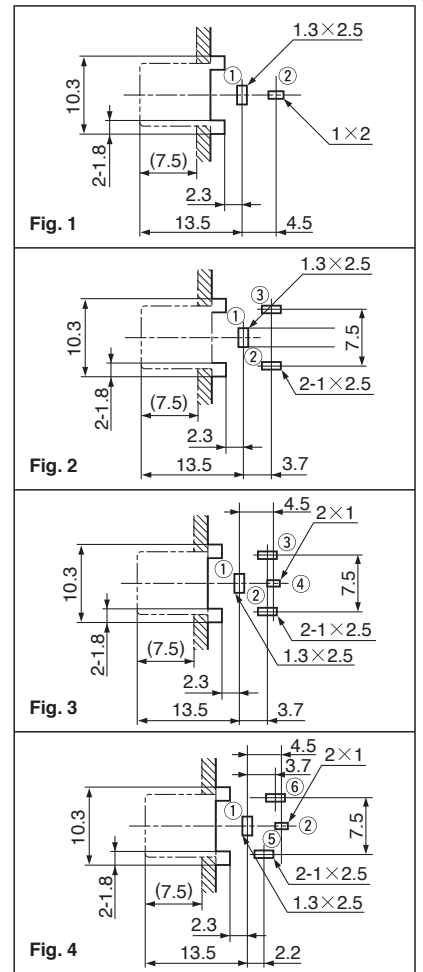
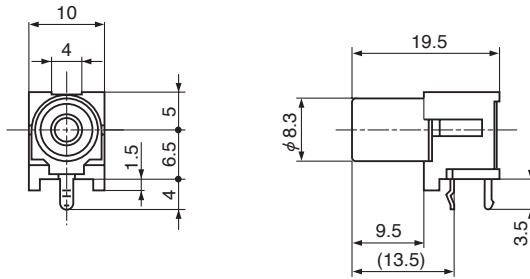
### V Type Triple Pin Jacks

l mm	Px mm	l1 mm	Shape	Plastic Hooks	Installation Hole	Insulation Ring	Schematic								
							L C R 1 1 0	L C R 1 0 1	L C R 1 0 0	L C R 0 1 1	L C R 0 1 0	L C R 0 0 1	L C R 1 1 1	L C R 0 0 0	
18	14	9.5	#1*1	With			JPJ1091	JPJ1091	JPJ1091	JPJ1091	JPJ1091	JPJ1091	JPJ1091	JPJ1091	JPJ1091
19.5	15	9.5	#2*2	With			JPJ1127	JPJ1127	JPJ1127	JPJ1127	JPJ1127	JPJ1127	JPJ1127	JPJ1127	JPJ1127
			#3	With			JPJ3651	—	JPJ3653	—	JPJ3655	JPJ3656	JPJ3657	JPJ3658	—
		8.5	#4	With			—	—	—	—	—	—	JPJ4657	JPJ4658	—
				With	With	With	—	—	—	JPJ0983	—	JPJ1653	—	—	—
23.5	15	8.5	#5	With	With	With	—	—	JPJ1456	—	JPJ1455	JPJ1453	JPJ1452	JPJ1451	
				With	With	With	—	—	JPJ1466	—	—	—	—	—	JPJ1461
			#6	With	With	With	—	—	JPJ1874	JPJ0874	—	JPJ0874	—	—	JPJ2083

## JPJ2025 Series



$h = 6.5 \text{ mm}$

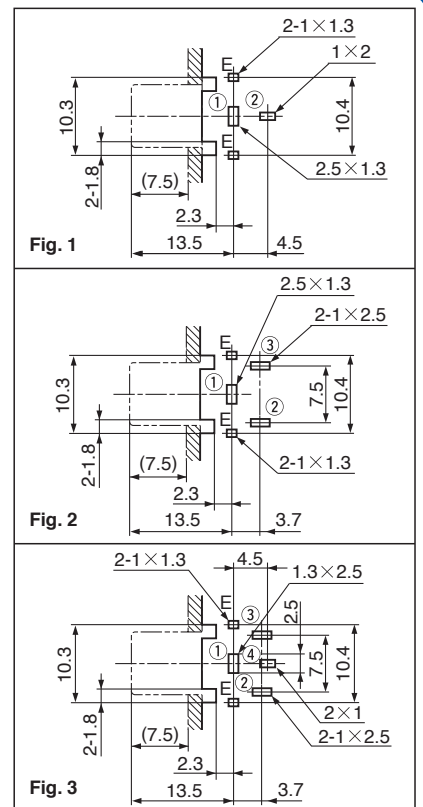
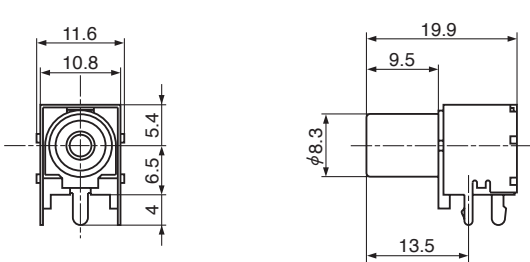


Schematic	Housing Color	Cover		Hole Layout (Bottom view)
		Ni Plated	Au Plated	
	Black	JPJ2025-01-010	JPJ2025-01-810	Fig. 1
	Red	JPJ2025-01-020	JPJ2025-01-820	
	White	JPJ2025-01-030	JPJ2025-01-830	
	Yellow	JPJ2025-01-040	JPJ2025-01-840	
	Black	JPJ1025-01-010	JPJ1025-01-810	Fig. 2
	Red	JPJ1025-01-020	JPJ1025-01-820	
	White	JPJ1025-01-030	JPJ1025-01-830	
	Yellow	JPJ1025-01-040	JPJ1025-01-840	
	Black	JPJ4025-01-010	JPJ4025-01-810	Fig. 3
	Red	JPJ4025-01-020	JPJ4025-01-820	
	White	JPJ4025-01-030	JPJ4025-01-830	
	Yellow	JPJ4025-01-040	JPJ4025-01-840	
	Black	JPJ5025-010010	JPJ5025-01-810	Fig. 4
	Red	JPJ5025-010020	JPJ5025-01-820	
	White	JPJ5025-010030	JPJ5025-01-830	
	Yellow	JPJ5025-010040	JPJ5025-01-840	

## JPJ1225 Series

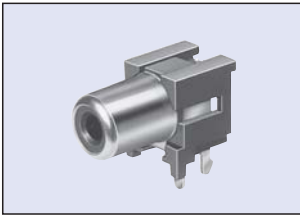


$h = 6.5 \text{ mm}$



Schematic	Housing Color	Cover		Hole Layout (Bottom view)
		Ni Plated	Au Plated	
	Black	JPJ1225-01-010	JPJ1225-01-810	Fig. 1
	Red	JPJ1225-01-020	JPJ1225-01-820	
	White	JPJ1225-01-030	JPJ1225-01-830	
	Yellow	JPJ1225-01-040	JPJ1225-01-840	
	Black	JPJ1125-01-010	JPJ1125-01-810	Fig. 2
	Red	JPJ1125-01-020	JPJ1125-01-820	
	White	JPJ1125-01-030	JPJ1125-01-830	
	Yellow	JPJ1125-01-040	JPJ1125-01-840	
	Black	JPJ1425-01-010	JPJ1425-01-810	Fig. 3
	Red	JPJ1425-01-020	JPJ1425-01-820	
	White	JPJ1425-01-030	JPJ1425-01-830	
	Yellow	JPJ1425-01-040	JPJ1425-01-840	

**JPJ2018 Series**



$h = 8 \text{ mm}$

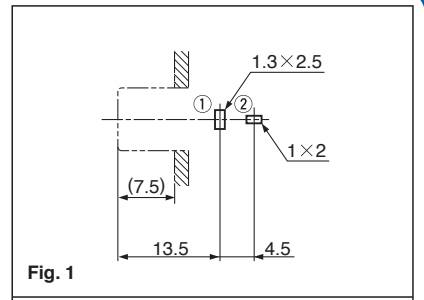
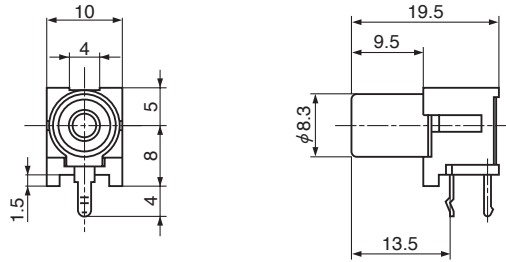


Fig. 1

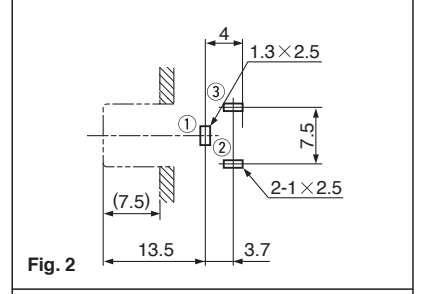


Fig. 2

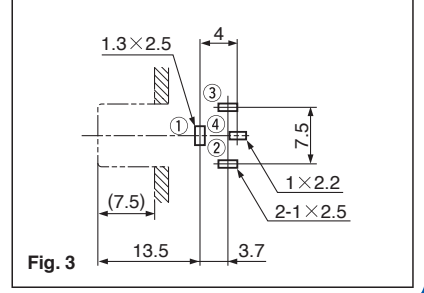
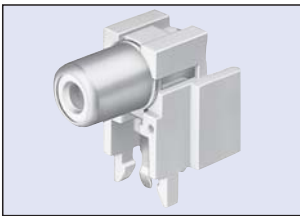


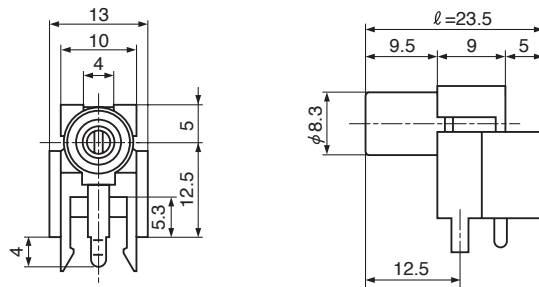
Fig. 3

Schematic	Housing Color	Cover		Hole Layout (Bottom view)
		Ni Plated	Au Plated	
	Black	JPJ2018-01-010	JPJ2018-01-810	Fig. 1
	Red	JPJ2018-01-020	JPJ2018-01-820	
	White	JPJ2018-01-030	JPJ2018-01-830	
	Yellow	JPJ2018-01-040	JPJ2018-01-840	
	Black	JPJ1018-01-010	—	Fig. 2
	Red	JPJ1018-01-020	—	
	White	JPJ1018-01-030	—	
	Yellow	JPJ1018-01-040	—	
	Black	JPJ4018-010010	—	Fig. 3
	Red	JPJ4018-010020	—	
	White	JPJ4018-010030	—	
	Yellow	JPJ4018-010040	—	

**JPJ2723 Series**



$h = 12.5 \text{ mm}$



\* Available  $l = 18.5$  Versions

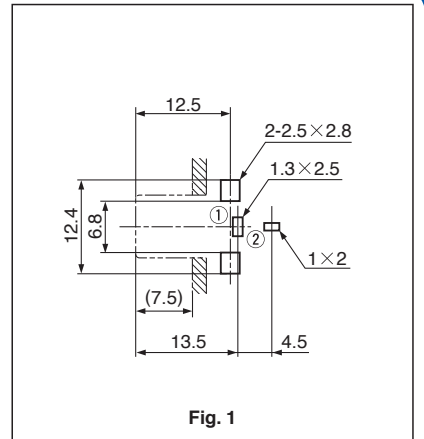


Fig. 1

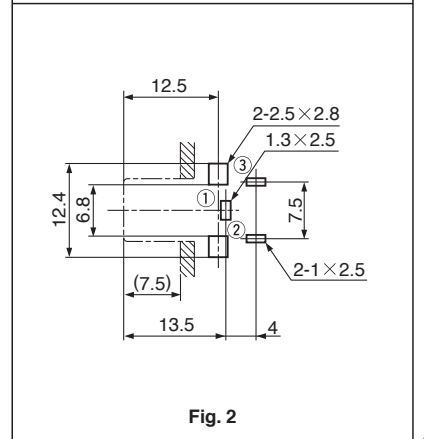
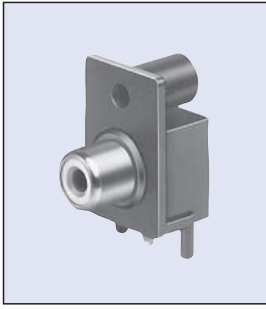


Fig. 2

Schematic	Housing Color	Cover		Hole Layout (Bottom view)
		Ni Plated	Au Plated	
	Black	JPJ2723-01-010	JPJ2723-01-810	Fig. 1
	Red	JPJ2723-01-020	JPJ2723-01-820	
	White	JPJ2723-01-030	JPJ2723-01-830	
	Yellow	JPJ2723-01-040	JPJ2723-01-840	
	Black	JPJ1723-01-010	JPJ1723-010815	Fig. 2
	Red	JPJ1723-01-020	JPJ1723-010825	
	White	JPJ1723-01-030	JPJ1723-010835	
	Yellow	JPJ1723-01-040	JPJ1723-010845	

**JPJ1044 Series**



$h = 8 \text{ mm}$

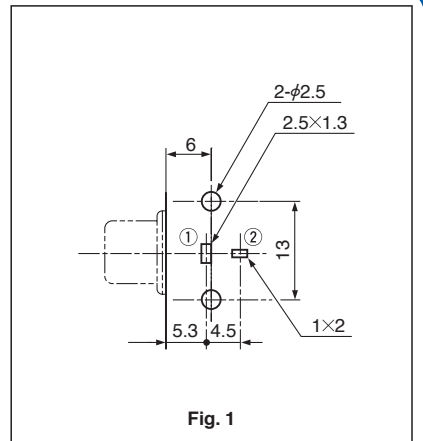
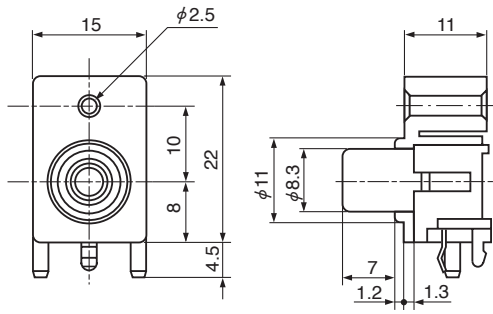


Fig. 1

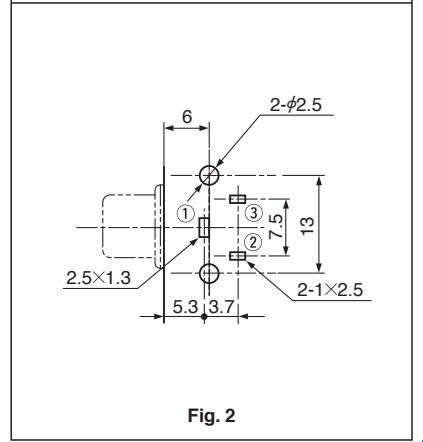
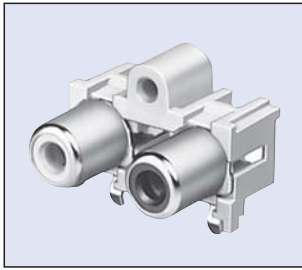


Fig. 2

Schematic	Housing Color	Cover	Hole Layout
		Ni Plated	(Bottom view)
	Black	JPJ1044-01-010	Fig. 1
	Red	JPJ1044-01-020	
	White	JPJ1044-01-030	
	Yellow	JPJ1044-01-040	
	Black	JPJ1054-010010	Fig. 2
	Red	JPJ1054-010020	
	White	JPJ1054-010030	
	Yellow	JPJ1054-010040	

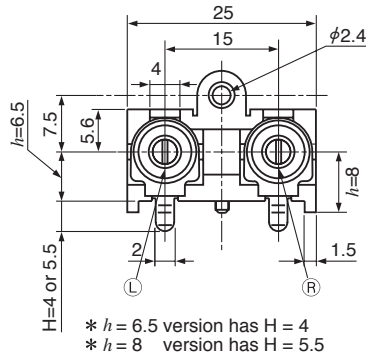


### JPJ1611 Series / JPJ0811 Series

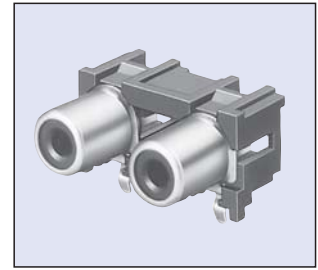


**JPJ1611 (h=6.5)**  
**JPJ2811 (h=8)**

With Installation Hole



\* h = 6.5 version has H = 4  
\* h = 8 version has H = 5.5



**JPJ0811 (h=6.5)**  
**JPJ1811 (h=8)**

Without Installation Hole

### Hole Layout (Bottom View)

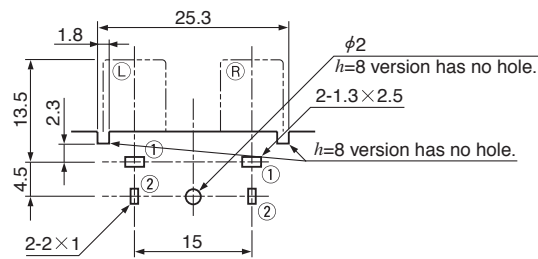


Fig. 1

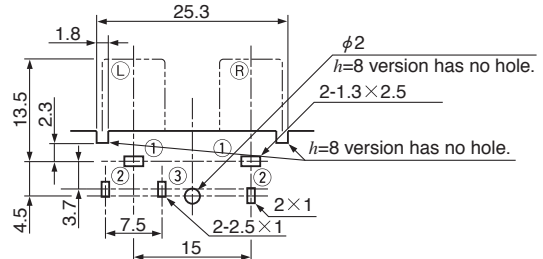


Fig. 2

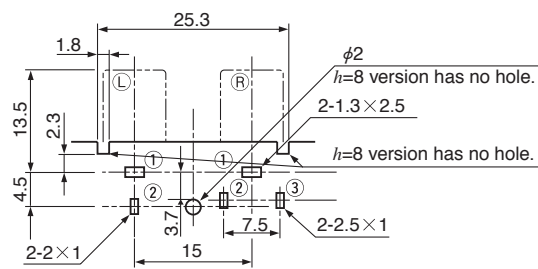


Fig. 3

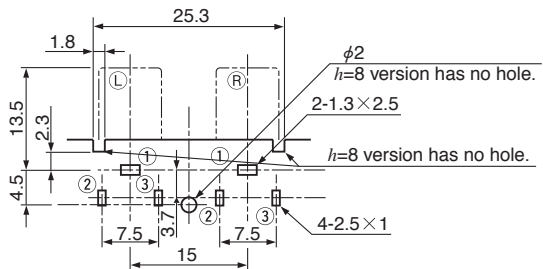


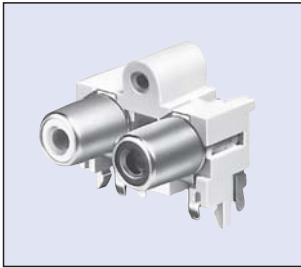
Fig. 4

Schematic	h mm	Installation Hole		Hole Layout (Bottom view)
		With	Without	
	6.5	JPJ1611-010 (L) (R) 0	JPJ0811-01- (L) (R) 0 *	Fig. 1
	8	JPJ2811-010 (L) (R) 0 *	JPJ1811-010 (L) (R) 0 *	
	6.5	JPJ1621-010 (L) (R) 0	—	Fig. 2
	6.5	JPJ1612-010 (L) (R) 0	JPJ0812-010 (L) (R) 0 *	Fig. 3
	6.5	JPJ1622-810 (L) (R) 0	JPJ0822-01- (L) (R) 0 *	Fig. 4
	8	JPJ2822-010 (L) (R) 0	—	

(L) & (R) indicate pin jack color No. below.  
\* When (L) - and (R) - pin jack have same color, No. (L) changes "0".  
Housing color is same with (R) pin jack.

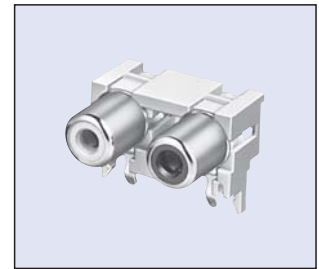
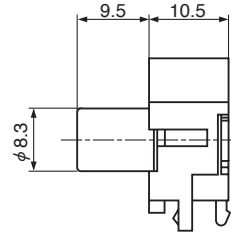
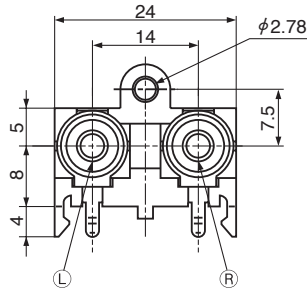
Color No.	
1	Black
2	Red
3	White
4	Yellow

## JPJ0911 Series / JPJ2911 Series



**JPJ0911**  
h = 8 mm

With Installation Hole



**JPJ2911**  
h = 8 mm

Without Installation Hole

### Hole Layout (Bottom View)

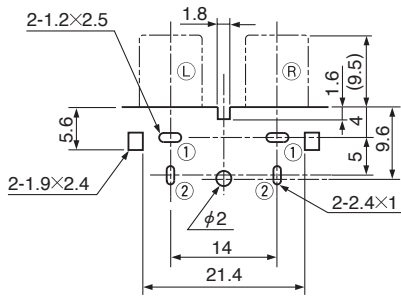


Fig. 1

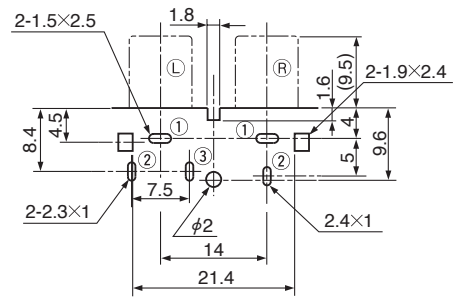


Fig. 2

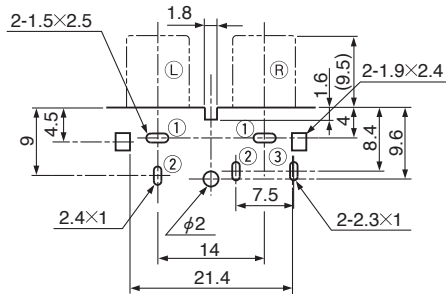


Fig. 3

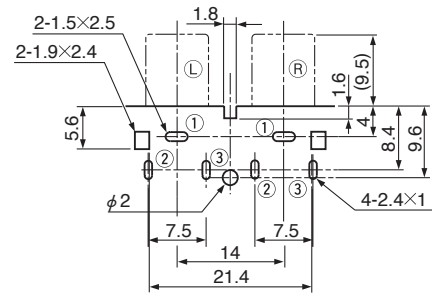


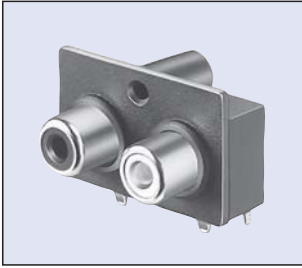
Fig. 4

Schematic	Installation Hole		Hole Layout (Bottom view)
	With	Without	
	JPJ0911-01-0 (L) (R) * 1	JPJ2911-0100 (L) (R)	Fig. 1
	JPJ0971-0100 (L) (R) * 1	—	Fig. 2
	JPJ0970-8100 (L) (R) * 1	—	Fig. 3
	JPJ0912-8100 (L) (R) * 1	—	Fig. 4

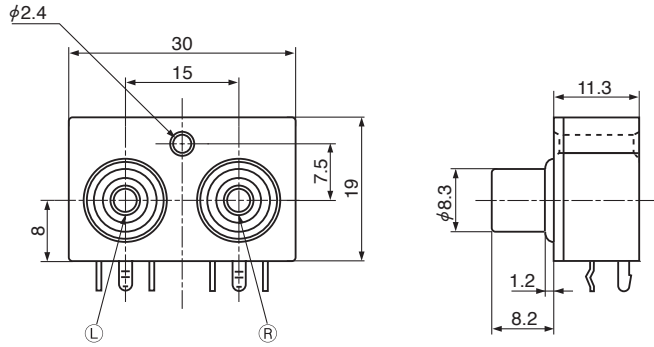
(L) & (R) indicate pin jack color No. below.  
\* 1 When (L) - and (R) - pin jack have same color, No. (R) changes "0".  
Housing color is same with (L) pin jack.

Color No.	
1	Black
2	Red
3	White
4	Yellow

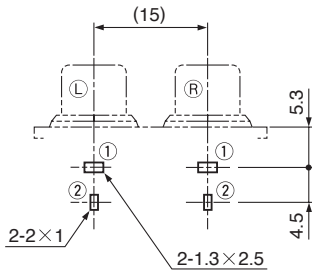
**JPJ1042 Series**



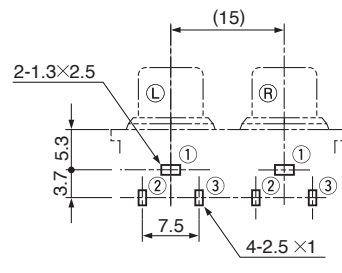
$h = 8 \text{ mm}$



**Hole Layout (Bottom View)**



**Fig. 1**



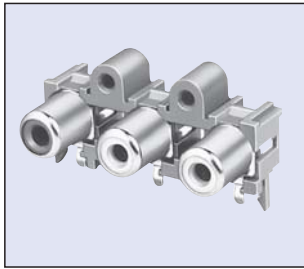
**Fig. 2**

Schematic	Model No.	Hole Layout (Bottom view)
	JPJ2042-01- (L) (R) 0	Fig. 1
	JPJ1042-01- (L) (R) 0	Fig. 2

(L) & (R) indicate pin jack color No. below.

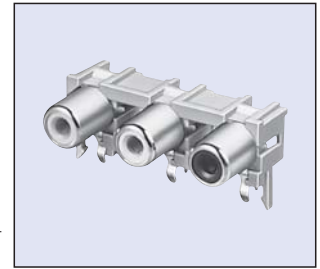
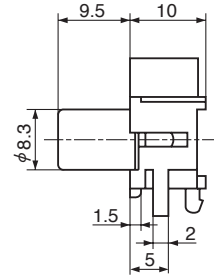
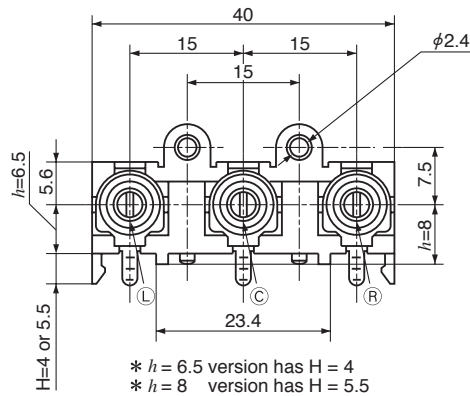
Color No.	
1	Black
2	Red
3	White
4	Yellow

**JPJ4668 Series / JPJ3668 Series**



**JPJ4668 (*h*=6.5)  
JPJ4648 (*h*=8)**

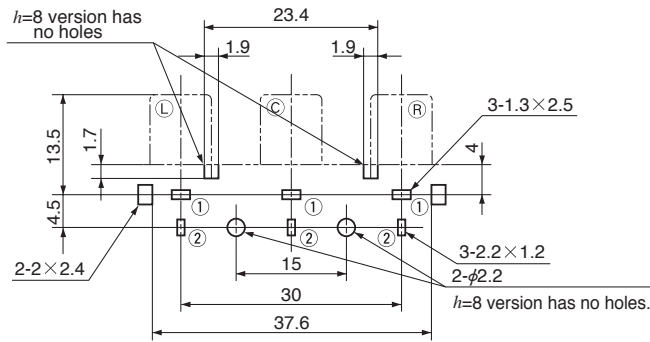
With Installation Hole



**JPJ3668 (*h*=6.5)  
JPJ3648 (*h*=8)**

Without Installation Hole

**Hole Layout (Bottom View)**



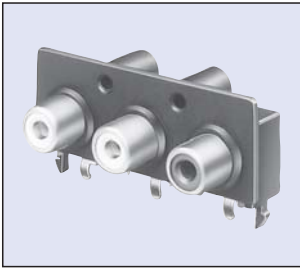
Model No.  (L) (C) (R)

Schematic (L) (C) (R)	Dimension <i>h</i> mm	Installation Hole	
		With	Without
	6.5	JPJ4668-01-	JPJ3668-01-
	8	JPJ4648-010	JPJ3648-810

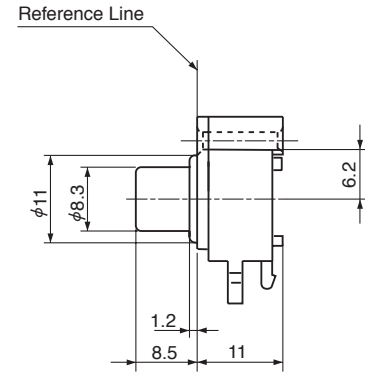
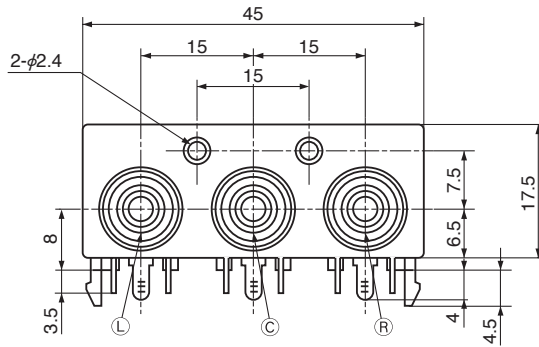
(L), (C) and (R) indicate pin jack color No. below.  
Housing color is same with (L) pin jack.

Color No.	
1	Black
2	Red
3	White
4	Yellow

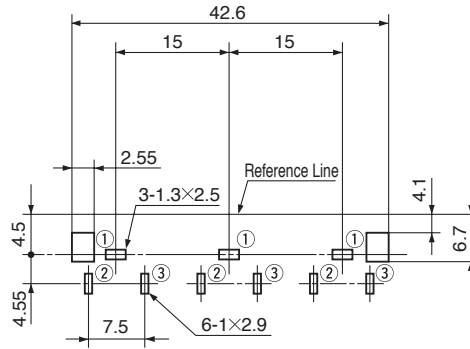
## JPJ1043 Series



$h = 8 \text{ mm}$



### Hole Layout (Bottom View)



JPJ1043

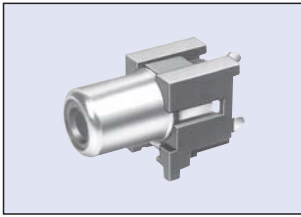
Hole layout is an example

\* For the specification of  $h=6.5 \text{ mm}$ , please contact us.

Schematic Ⓛ    Ⓒ    Ⓡ	$h=6.5 \text{ mm}$	$h=8 \text{ mm}$	$h=12.5 \text{ mm}$
	—	—	JPJ0963-01(ⓁⒸⓇ)
	—	JPJ0955-01-(ⓁⒸⓇ)	—
	—	JPJ0951-01-(ⓁⒸⓇ)	—
	JPJ1205-01(ⓁⒸⓇ)	JPJ0956-010(ⓁⒸⓇ)	—
	—	JPJ1106-01-(ⓁⒸⓇ)	—
	JPJ1063-01-(ⓁⒸⓇ)	JPJ1043-01-(ⓁⒸⓇ)	—
	JPJ2063-01-(ⓁⒸⓇ)	JPJ2043-01-(ⓁⒸⓇ)	—

Color No.	
1	Without pinjack
2	Red
3	White
4	Yellow

**JPJ2022 Series**



$\ell = 19.5$  mm

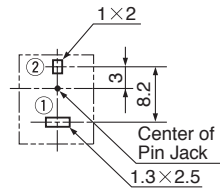
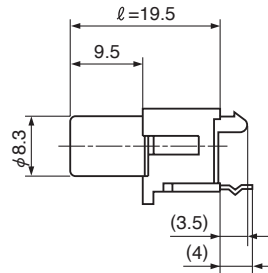
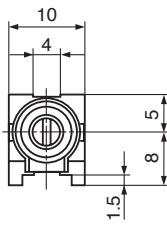


Fig. 1

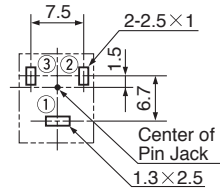


Fig. 2

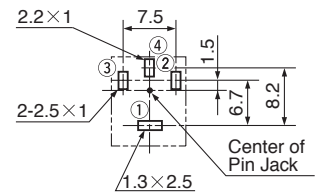


Fig. 3

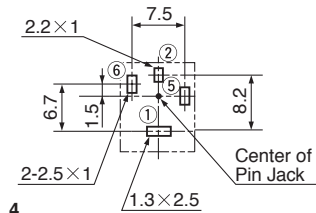
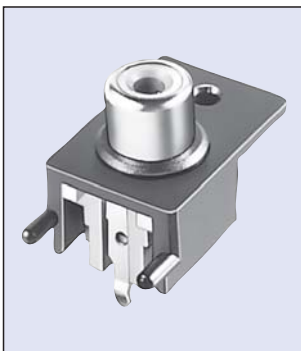


Fig. 4

Schematic	Housing Color	Cover		Hole Layout (Bottom view)
		Ni Plated	Au Plated	
	Black	JPJ2022-01-010	JPJ2022-01-810	Fig. 1
	Red	JPJ2022-01-020	JPJ2022-01-820	
	White	JPJ2022-01-030	JPJ2022-01-830	
	Yellow	JPJ2022-01-040	JPJ2022-01-840	
	Black	JPJ1022-01-010	JPJ1022-01-810	Fig. 2
	Red	JPJ1022-01-020	JPJ1022-01-820	
	White	JPJ1022-01-030	JPJ1022-01-830	
	Yellow	JPJ1022-01-040	JPJ1022-01-840	
	Black	JPJ4022-01-010	JPJ4022-01-810	Fig. 3
	Red	JPJ4022-01-020	JPJ4022-01-820	
	White	JPJ4022-01-030	JPJ4022-01-830	
	Yellow	JPJ4022-01-040	JPJ4022-01-840	
	Black	JPJ5022-01-010	JPJ5022-01-810	Fig. 4
	Red	JPJ5022-01-020	JPJ5022-01-820	
	White	JPJ5022-01-030	JPJ5022-01-830	
	Yellow	JPJ5022-01-040	JPJ5022-01-840	

**JPJ1055 Series**



$\ell = 19.5$  mm

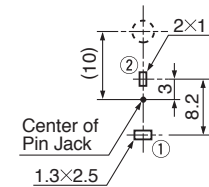
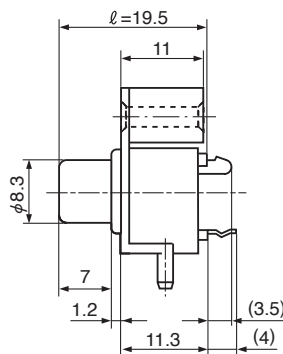
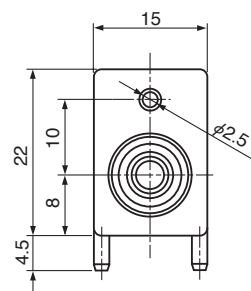


Fig. 1

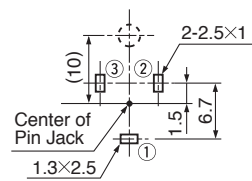
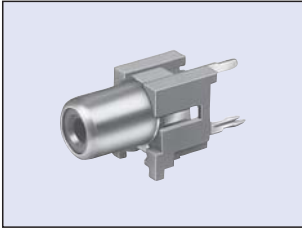


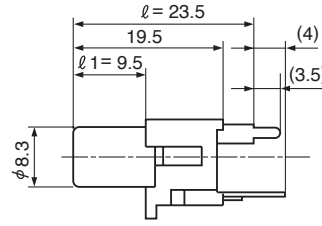
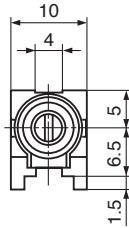
Fig. 2

Schematic	Housing Color	Cover		Hole Layout (Bottom view)
		Ni Plated	Au Plated	
	Black	JPJ1055-01-010		Fig. 1
	Red	JPJ1055-01-020		
	White	JPJ1055-01-030		
	Yellow	JPJ1055-01-040		
	Black	JPJ1057-810010		Fig. 2
	Red	JPJ1057-810020		
	White	JPJ1057-810030		
	Yellow	JPJ1057-810040		

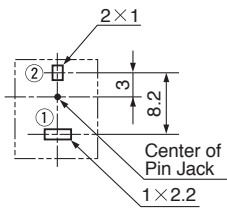
**JPJ0870 Series**



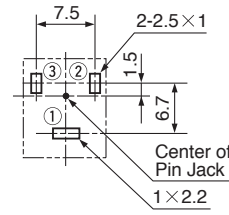
$\ell = 23.5 \text{ mm}$



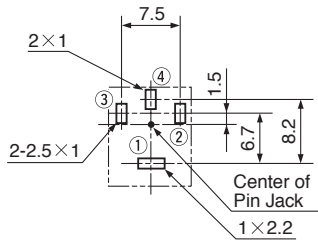
**Hole Layout (Bottom View)**



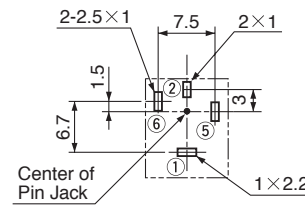
**Fig. 1**



**Fig. 2**



**Fig. 3**

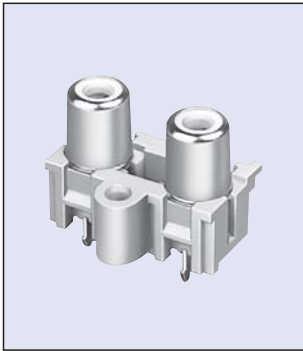


**Fig. 4**

Schematic	Housing Color	Cover		Hole Layout (Bottom view)
		Ni Plated	Au Plated	
	Black	JPJ0870-01-010	JPJ0870-01-810	Fig. 1
	Red	JPJ0870-01-020	JPJ0870-01-820	
	White	JPJ0870-01-030	JPJ0870-01-830	
	Yellow	JPJ0870-01-040	JPJ0870-01-840	
	Black	JPJ0871-01-010	JPJ0871-01-810	Fig. 2
	Red	JPJ0871-01-020	JPJ0871-01-820	
	White	JPJ0871-01-030	JPJ0871-01-830	
	Yellow	JPJ0871-01-040	JPJ0871-01-840	
	Black	JPJ0923-01-010	JPJ0923-01-810	Fig. 3
	Red	JPJ0923-01-020	JPJ0923-01-820	
	White	JPJ0923-01-030	JPJ0923-01-830	
	Yellow	JPJ0923-01-040	JPJ0923-01-840	
	Black	JPJ1088-01-010	JPJ1088-01-810	Fig. 4
	Red	JPJ1088-01-020	JPJ1088-01-820	
	White	JPJ1088-01-030	JPJ1088-01-830	
	Yellow	JPJ1088-01-040	JPJ1088-01-840	

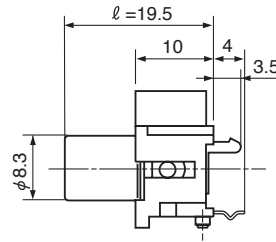
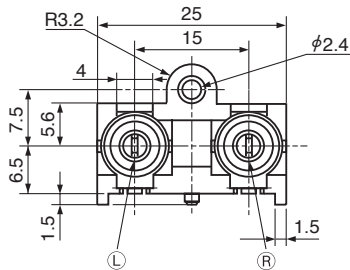
Note : Available  $\ell = 25.5$  and  $\ell_1 = 11.5$  versions. Hole layouts are common.

JPJ3911 Series / JPJ3811 Series



**JPJ3911**  
ℓ = 19.5 mm

取付孔付  
With Installation Hole



**JPJ3811**  
ℓ = 19.5 mm

取付孔無  
Without Installation Hole

Hole Layout (Bottom View)

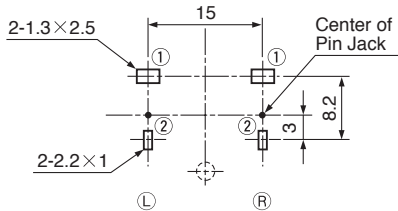


Fig. 1

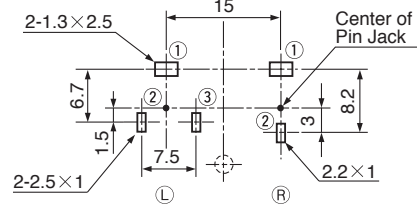


Fig. 2

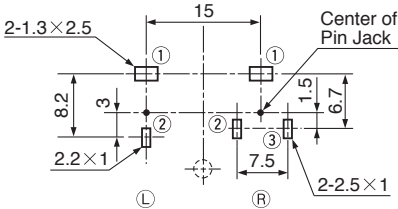


Fig. 3

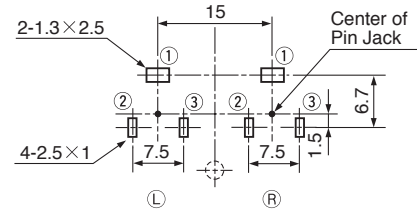


Fig. 4

回路図 Schematic	取付孔 / Installation Hole		Hole Layout (Bottom view)
	With	Without	
	JPJ3911-010 (L) (R) 0	JPJ3811-01- (L) (R) 0	Fig. 1
	JPJ3921-010 (L) (R) 0	JPJ3821-010 (L) (R) 0	Fig. 2
	JPJ3912-010 (L) (R) 0	JPJ3812-01- (L) (R) 0	Fig. 3
	—	JPJ3822-01- (L) (R) 0 *1	Fig. 4

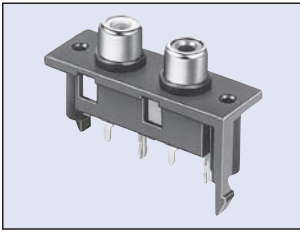
Ⓛ Ⓜには下記の色 No. を入れてください。  
Ⓛ Ⓜが同色の場合、Ⓛ には0が入ります。  
ボディ色調は Ⓜ と同色になります。  
\*1 Ⓛ Ⓜが同色の場合 -Ⓛ に、00が入ります。

Ⓛ & Ⓜ indicate pin jack color No. below.  
When Ⓛ - and Ⓜ - pin jack have same color,  
No. Ⓛ changes "0".  
Housing color is same with Ⓜ pin jack.  
\*1 When Ⓛ - and Ⓜ - pin jack have same color,  
No. -Ⓛ changes "00".

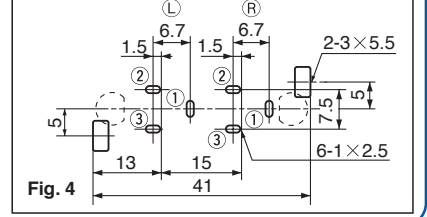
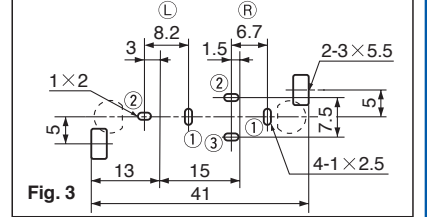
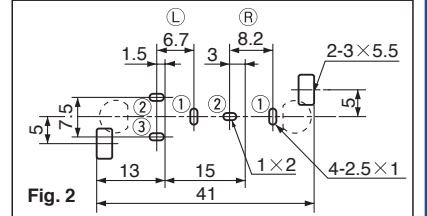
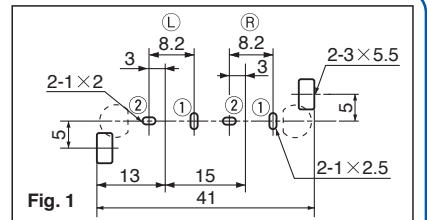
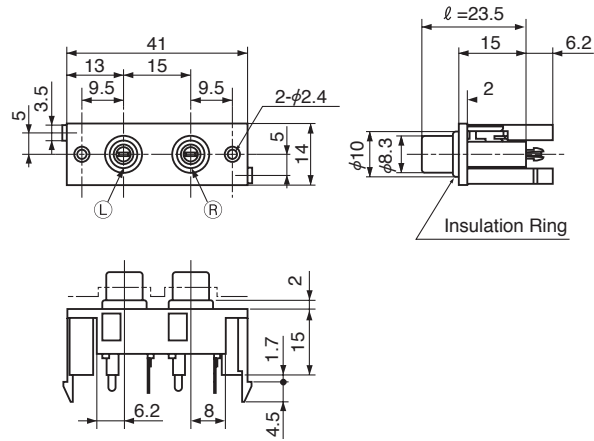
Color No.	
1	Black
2	Red
3	White
4	Yellow



### JPJ1151 Series



$l = 23.5$  mm

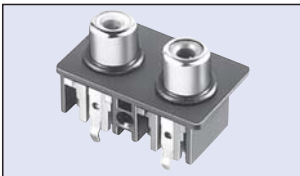


Ⓛ & Ⓜ indicate pin jack color No. below.

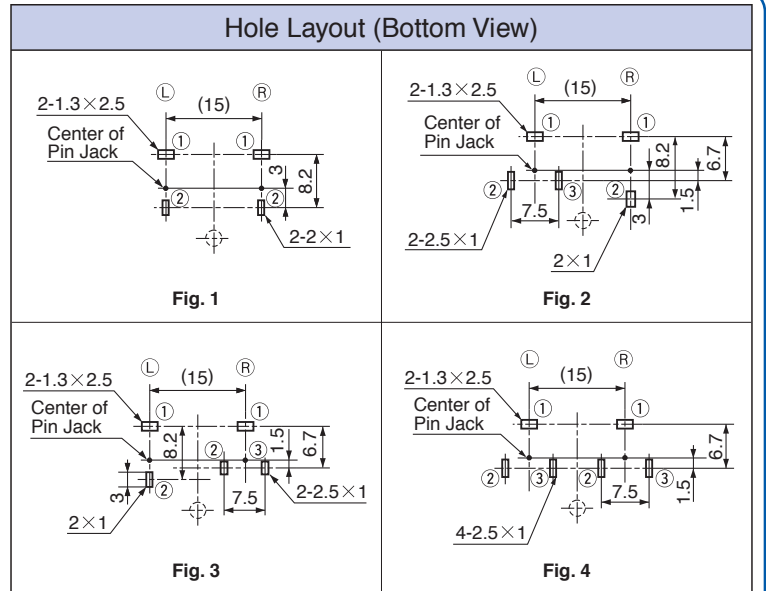
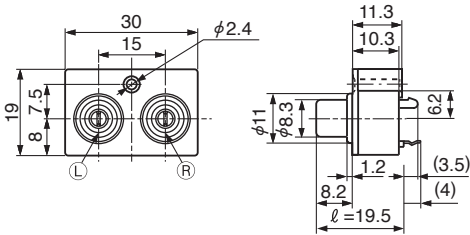
Color No.	
1	Black
2	Red
3	White
4	Yellow

Schematic	Insulation Ring		Hole Layout (Bottom view)
	With	Without	
	JPJ1151-01- Ⓛ Ⓜ 0	JPJ1161-01- Ⓛ Ⓜ 0	Fig. 1
	JPJ1154-01- Ⓛ Ⓜ 0	—	Fig. 2
	JPJ1153-01- Ⓛ Ⓜ 0	—	Fig. 3
	JPJ1152-810 Ⓛ Ⓜ 0	—	Fig. 4

### JPJ2052 Series



$l = 19.5$  mm

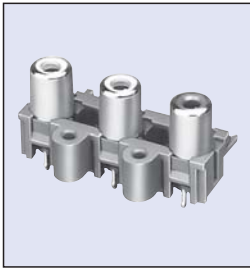


Ⓛ & Ⓜ indicate pin jack color No. below.

Color No.	
1	Black
2	Red
3	White
4	Yellow

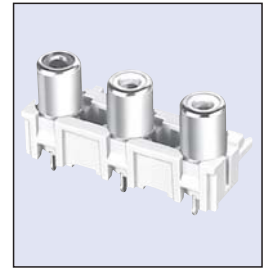
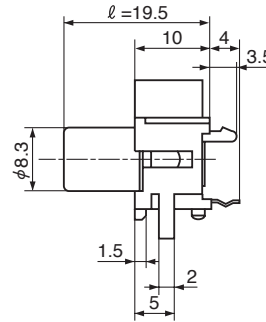
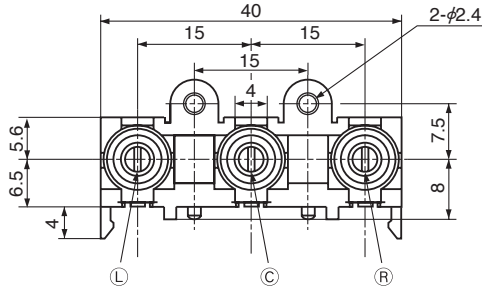
Schematic	Model No.	Hole Layout (Bottom view)
	JPJ2052-01- Ⓛ Ⓜ 0	Fig. 1
	—	Fig. 2
	JPJ1051-01- Ⓛ Ⓜ 0	Fig. 3
	JPJ1052-01- Ⓛ Ⓜ 0	Fig. 4

### JPJ4658 Series / JPJ3658 Series



**JPJ4658**  
 $l = 19.5$  mm

With Installation Hole



**JPJ3658**  
 $l = 19.5$  mm

Without Installation Hole

Schematic	Plastic Hooks with	Installation Hole with	Hole Layout (Bottom View)
	JPJ3651	—	—
	JPJ3653	—	—
	JPJ3655	—	—
	JPJ3656	—	—
	JPJ3657	JPJ4657	Fig. 1
	JPJ3658	JPJ4658	Fig. 2

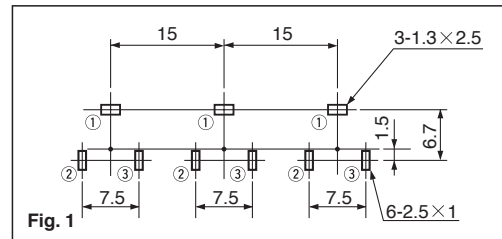


Fig. 1

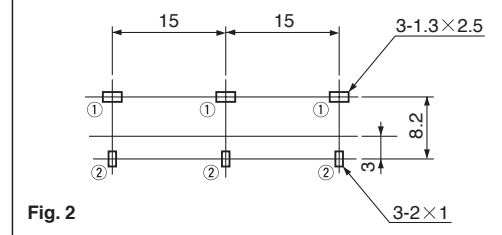
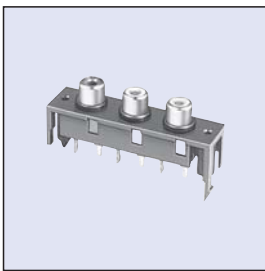
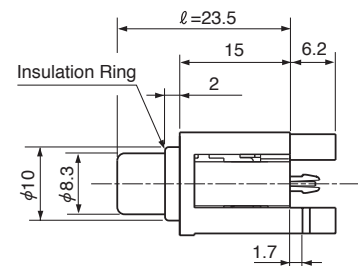
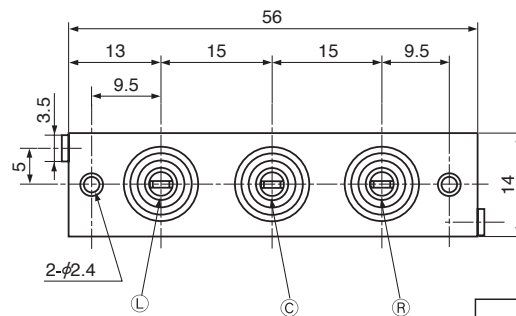


Fig. 2

### JPJ1451 Series



$l = 23.5$  mm



Schematic	Insulation Ring		Hole Layout (Bottom View)
	with	without	
	JPJ1451	JPJ1461	Fig. 1
	JPJ1452	—	Fig. 2
	JPJ1453	—	—
	JPJ1455	—	—
	JPJ1456	JPJ1466	—

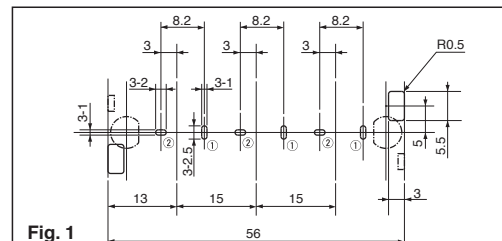


Fig. 1

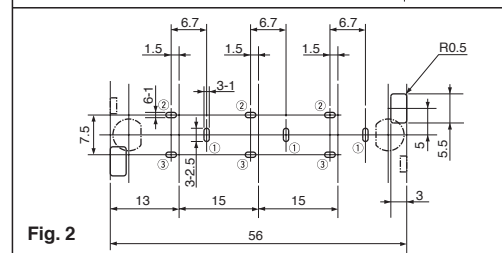


Fig. 2