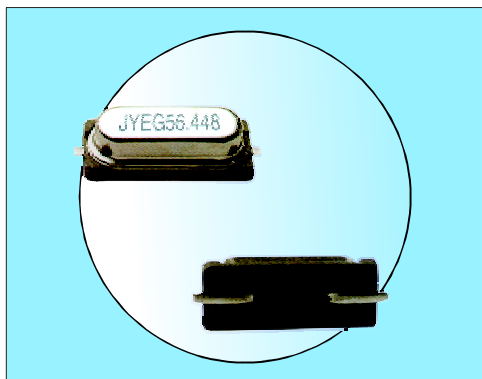


Quartz Crystals

Surface Mount Type Quartz Crystal / HC-49US/SMD



Features

- JYEG part number: JYSD1, JYSD1-3, JYSD2
- AT、BT available
- Tape and reel
- Tight tolerance/stability

TYPICAL SPECIFICATIONS

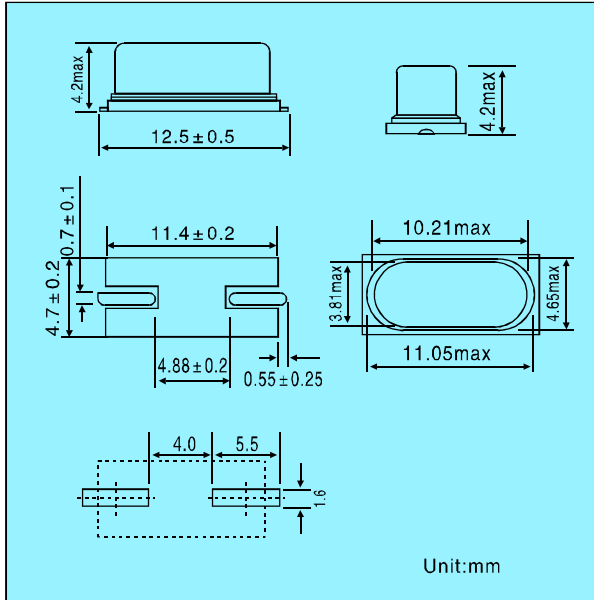
Type	HC-49US/SMD	HC-49US[3.2]/SMD	HC-49US/SMD-3
Frequency Range	3.4875~36MHz	24~44MHz	24.576~75MHz
Mode of Vibration	AT Fundamental	BT Fundamental	3rd Overtone
Resonance Resistance(Ω)	150~25	30~40	120~60
Frequency Tolerance at 25°C	$\pm 5\text{ppm} \sim \pm 50\text{ppm}$		
Shunt Capacitance	7pF Max		
Frequency Stability Over Temperature Range	AT CUT(See table)	BT CUT	$\pm 50\text{ppm}/0^\circ\text{C} \sim +50^\circ\text{C}$ $\pm 100\text{ppm}/-10^\circ\text{C} \sim +60^\circ\text{C}$ $\pm 125\text{ppm}/-20^\circ\text{C} \sim +70^\circ\text{C}$
Load Capacitance	5~50pF or Series		
Insulation Resistance	$> 500\text{M}\Omega/\text{DC}100\text{V} \pm 15\text{V}$		
Drive Level	200nW~1mW		
Aging	$\pm 3\text{ppm} \sim 5\text{ppm}/\text{year}$		

FREQUENCY STABILITY OVER TEMPERATURE RANGE(AT CUT)

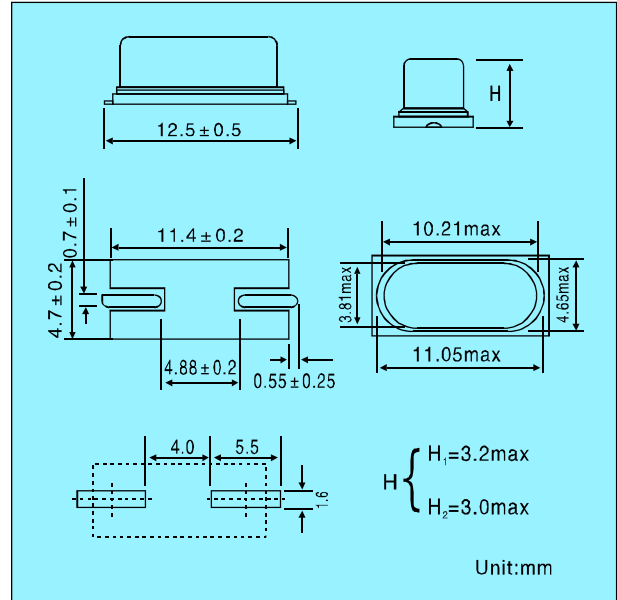
Temperature Range	Frequency Stability						
	$\pm 3\text{ppm}$	$\pm 5\text{ppm}$	$\pm 10\text{ppm}$	$\pm 15\text{ppm}$	$\pm 20\text{ppm}$	$\pm 30\text{ppm}$	$\pm 50\text{ppm}$
0°C~+50°C	☆	☆	☆	☆	☆	☆	☆
-10°C~+60°C		☆	☆	☆	☆	☆	☆
-20°C~+70°C			☆	☆	☆	☆	☆
-40°C~+85°C				☆	☆	☆	☆
-40°C~+105°C						☆	☆
-55°C~+125°C							☆

Quartz Crystals

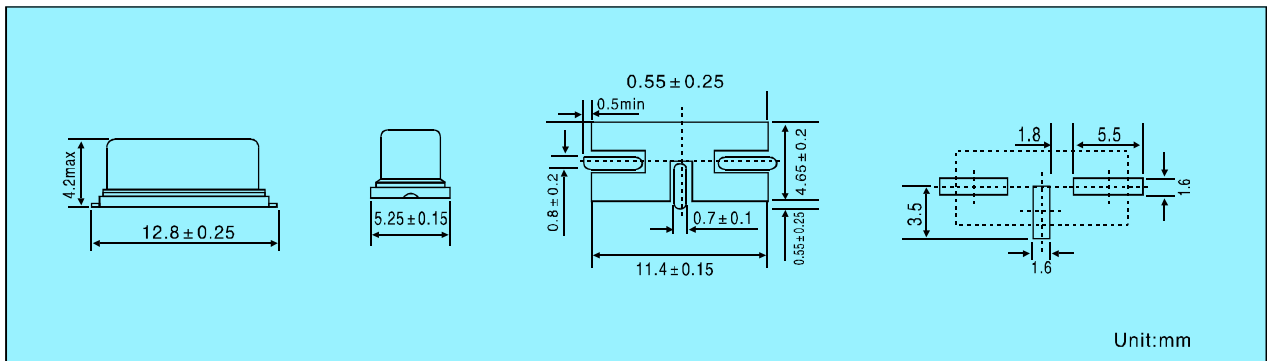
HC-49US(3.5)/SMD(JYSD1)



HC-49US/SMD(JYSD2)



HC-49US/SMD-3PIN(JYSD1-3)



TAPE AND REEL DIMENSIONS

