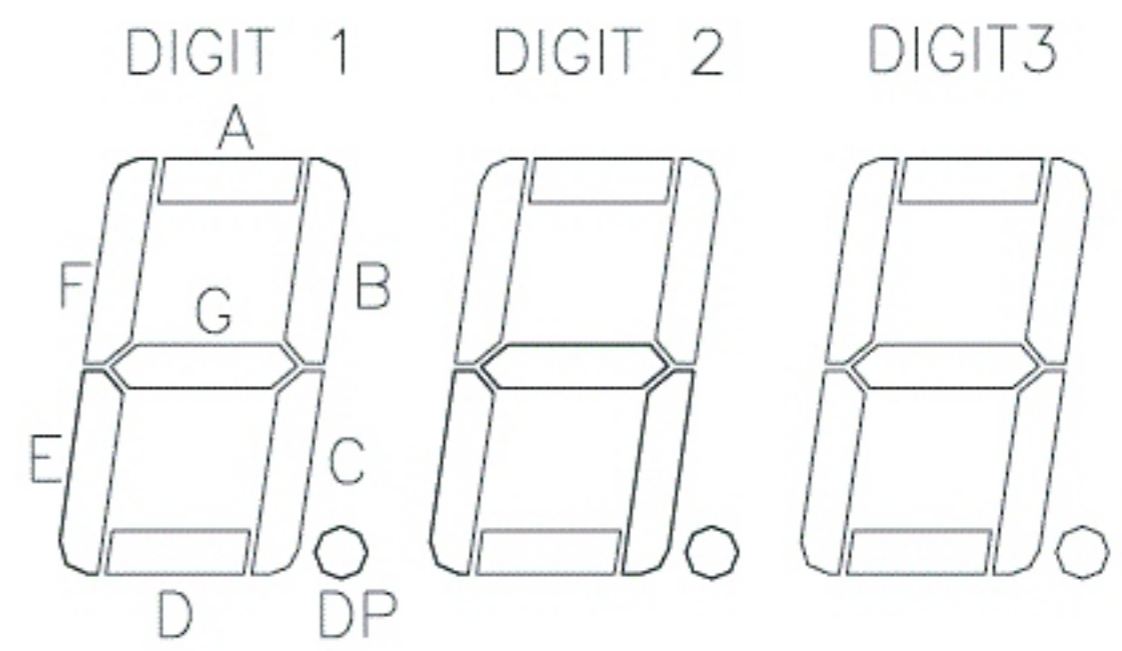
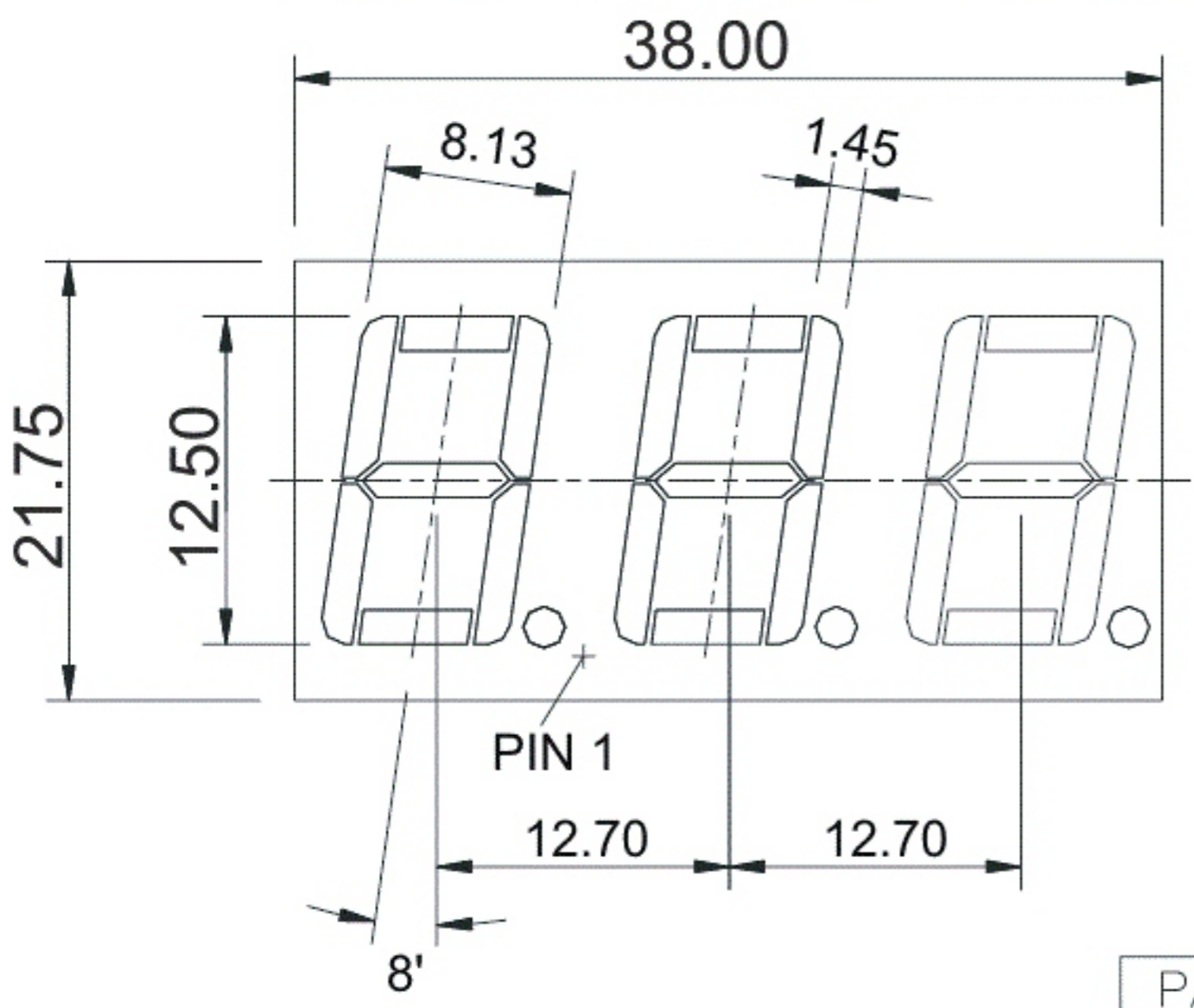


# LTC-5648WC

## LITEON

KOLOR: CZERWONY (RED)

SYSTEM: MULTIPLEX WSPOLNA ANODA (MULTIPLEX COMMON ANODE)



PART NO.  
DATE CODE

