

3M Textool™ Test and Burn-In Sockets



RoHS Compliant This product is RoHS compliant.

TEXTTOOL SOCKETS AND RECEPTACLES

With decades of experience on the market, 3M Textool™ DIP Sockets provide a proven, reliable test/burn-in interface for DIP Packages with .100" lead spacing, and pin counts of 14 to 64. The sockets possess a lever actuated zero insertion force mechanism to maximize cycle life and reduce the potential for device lead damage.

Specifications:

- Current: 1A
- Color: Green
- Flammability: UL 94V-0
- Operating Temperature: -55°C to +150°C
- Contact Material: Beryllium Copper
- Contact Plating: 30µ" Gold over 50µ" Nickel
- RoHS Compliant per 3M documentation

- * Contact Tail Length:
 - XX = 09 Solder Tail .13 (3.3)w/ flanges
 - = 19 Wire Wrap Tail .62 (15.8) w/ flanges
 - = 29 Solder Tail .13 (3.3) w/out flanges
 - = 39 Wire Wrap Tail .62 (15.8) w/out flanges



RoHS Compliant

For quantities of 25 and up, call for quote.

MOUSER STOCK NO.	3M Part No.	Fig.	No. of Contacts	3M Mating * Receptacle Part No.	Price Each		
					1	5	10
ZIP DIP II 2.54mm (.100") DIP Sockets							
517-214-3339-00	214-3339-00-0602J	A	14	214-3339-XX-0602J			
517-216-3340-00	216-3340-00-0602J	A	16	216-3340-XX-0602J			
517-218-3341-00	218-3341-00-0602J	A	18	218-3341-XX-0602J			
517-220-3342-00	220-3342-00-0602J	A	20	220-3342-XX-0602J			
517-222-3343-00	222-3343-00-0602J	A	22	222-3343-XX-0602J			
517-224-1275-00	224-1275-00-0602J	A	24	224-1275-XX-0602J			
517-224-5248-00	224-5248-00-0602J	A	24	224-5248-XX-0602J			
517-228-1277-00	228-1277-00-0602J	A	28	228-1277-XX-0602J			
517-228-4817-00	228-4817-00-0602J	A	28	228-4817-XX-0602J			
517-232-1285-00	232-1285-00-0602J	A	32	232-1285-XX-0602J			
517-240-1280-00	240-1280-00-0602J	A	40	240-1280-XX-0602J			
517-240-3639-00	240-3639-00-0602J	A	40	240-3639-XX-0602J			
517-242-1281-00	242-1281-00-0602J	A	42	242-1281-XX-0602J			
517-248-1282-00	248-1282-00-0602J	A	48	248-1282-XX-0602J			
517-264-4493-00	264-4493-00-0602J	A	64	264-4493-XX-0602J			
Shrink DIP .070" DIP Sockets							
517-228-1290-00	228-1290-00-0602J	B	28	228-1290-XX-0602J			
517-232-1291-00	232-1291-00-0602J	B	32	-----			
517-242-1293-00	242-1293-00-0602J	B	42	242-1293-XX-0602J			
517-264-1300-00	264-1300-00-0602J	B	64	264-1300-XX-0602J			
517-290-1294-00	290-1294-00-3302J	B	90	290-1294-XX-0602J			
Universal DIP 2.54mm (.100") Universal DIP Sockets							
517-224-1286-00	224-1286-00-0602J	C	24	224-1275-XX-0602J			
517-228-1371-00	228-1371-00-0602J	C	28	228-1277-XX-0602J			
517-232-1287-00	232-1287-00-0602J	C	32	232-1285-XX-0602J			
517-240-1288-00	240-1288-00-0602J	C	40	240-1280-XX-0602J			
517-242-1289-00	242-1289-00-0602J	C	42	242-1281-XX-0602J			

ZIP DIP II Receptacles for DIP Sockets

With decades of experience on the market, 3M Textool™ DIP Receptacles provide a proven, reliable interface between DIP Sockets and a PCB. Receptacles are available for most Textool socket sizes.



RoHS Compliant

For quantities of 25 and up, call for quote.

MOUSER STOCK NO.	3M Part No.	Fig.	No. of Contacts	Price Each		
				1	5	10
517-214-3339-09	214-3339-09-0602J	D	14			
517-216-3340-09	216-3340-09-0602J	D	16			
517-216-3340-19	216-3340-19-0602J	D	16			
517-218-3341-09	218-3341-09-0602J	D	18			
517-220-3342-09	220-3342-09-0602J	D	20			
517-220-3342-19	220-3342-19-0602J	D	20			
517-224-1275-09	224-1275-09-0602J	D	24			
517-224-1275-19	224-1275-19-0602J	D	24			
517-224-1275-29	224-1275-29-0602J	D	24			
517-224-1275-39	224-1275-39-0602J	D	24			
517-228-1277-09	228-1277-09-0602J	D	28			
517-228-1277-19	228-1277-19-0602J	D	28			
517-228-1277-29	228-1277-29-0602J	C	28			
517-228-1277-39	228-1277-39-0602J	D	28			
517-228-1290-29	228-1290-29-0602J	D	28			
517-228-4817-09	228-4817-09-0602J	D	28			
517-232-1285-39	232-1285-39-0602J	D	32			
517-240-1280-09	240-1280-09-0602J	D	40			
517-240-1280-19	240-1280-19-0602J	D	40			
517-240-1280-29	240-1280-29-0602J	D	40			
517-240-1280-39	240-1280-39-0602J	D	40			
517-240-3639-09	240-3639-09-0602J	D	40			
517-242-1281-09	242-1281-09-0602J	D	42			
517-248-1282-09	248-1282-09-0602J	D	48			
517-248-1282-39	248-1282-39-0602J	D	48			
517-264-1300-09	264-1300-09-0602J	D	64			
517-264-4493-09	264-4493-09-0602J	D	64			

Test and Burn-In SOIC Sockets

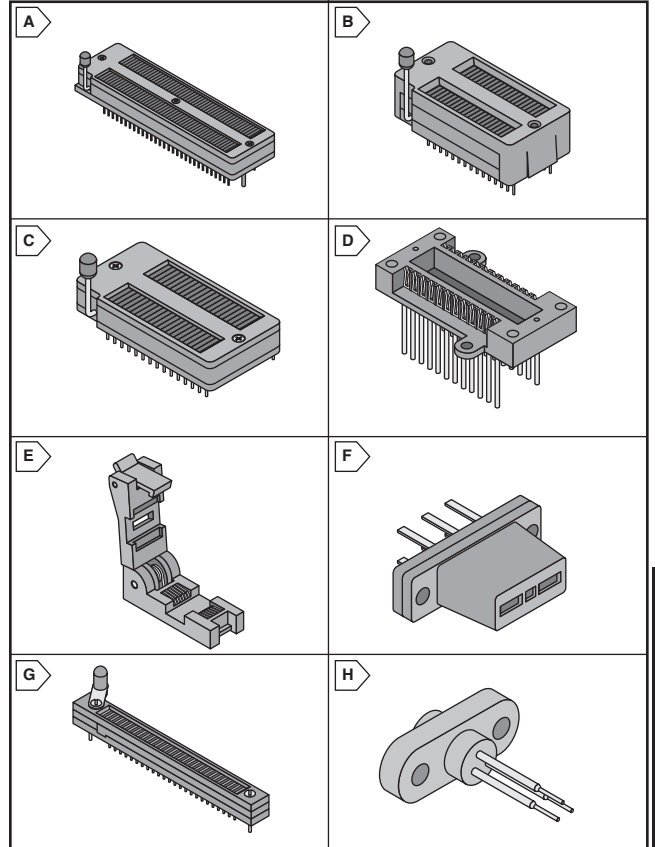
For quantities of 25 and up, call for quote.

MOUSER STOCK NO.	3M Part No.	Fig.	No. of Leads	Price Each		
				1	5	10
517-208-7391-55	208-7391-55-1902	E	8			
517-214-7390-55	214-7390-55-1902	E	14			
517-216-7224-55	216-7224-55-1902	E	16			
517-216-7383-55	216-7383-55-1902	E	16			
517-218-7223-55	218-7223-55-1902	E	18			
517-220-7201-55	220-7201-55-1902	E	20			
517-224-7397-55	224-7397-55-1902	E	24			
517-228-7396-55	228-7396-55-1902	E	28			
517-228-7474-55	228-7474-55-1902	E	28			

© Copyright 2009 Mouser Electronics



a ti company



Power In-Line Socket

3M Textool™ Power In-Line Sockets provide a proven, reliable test/burn-in interface for 3 lead TO packages such as TO-3 and TO-66. The Power In-Line Socket must be mounted to board with screws and has 2 entry ports which accept devices with 0.75" to 0.20" between leads.



RoHS Compliant

For quantities of 25 and up, call for quote.

MOUSER STOCK NO.	3M Part No.	Fig.	No. of Contacts	Price Each		
				1	5	10
517-203-2737-55	203-2737-55-1102	F	3			

2.54mm (.100") In-Line DIP Strip Sockets

With decades of experience on the market, 3M Textool™ In-Line ZIP Strip Sockets provide a proven, reliable test/burn-in interface for Single In-Line style packages in pin counts of 10 to 36.



RoHS Compliant

For quantities of 25 and up, call for quote.

MOUSER STOCK NO.	3M Part No.	Fig.	No. of Contacts	Price Each		
				1	5	10
517-210-2599-00	210-2599-00-0602	G	10			
517-220-2600-00	220-2600-00-0602	G	20			
517-224-5809-00	224-5809-00-0602	G	24			
517-232-2601-00	232-2601-00-0602	G	32			
517-236-6225-00	236-6225-00-0602	G	36			

Laser Diode Socket

3M Textool™ Diode Sockets provide a proven, reliable test/burn-in interface for diode style JEDEC TO packages in pin counts of 3 and 4.



RoHS Compliant

For quantities of 25 and up, call for quote.

MOUSER STOCK NO.	3M Part No.	Fig.	No. of Contacts	Price Each		
				1	5	10
517-203-6585-00	203-6585-00-0602J	H	3			
517-203-6585-50	203-6585-50-0602J	H	3			
517-203-6970-00	203-6970-00-0602J	H	3			
517-203-6970-50	203-6970-50-0602J	H	3			
517-204-6585-00	204-6585-00-0602J	H	4			
517-204-6585-50	204-6585-50-0602J	H	4			
517-204-6970-00	204-6970-00-0602J	H	4			
517-204-6970-50	204-6970-50-0602J	H	4			

© Copyright 2009 Mouser Electronics