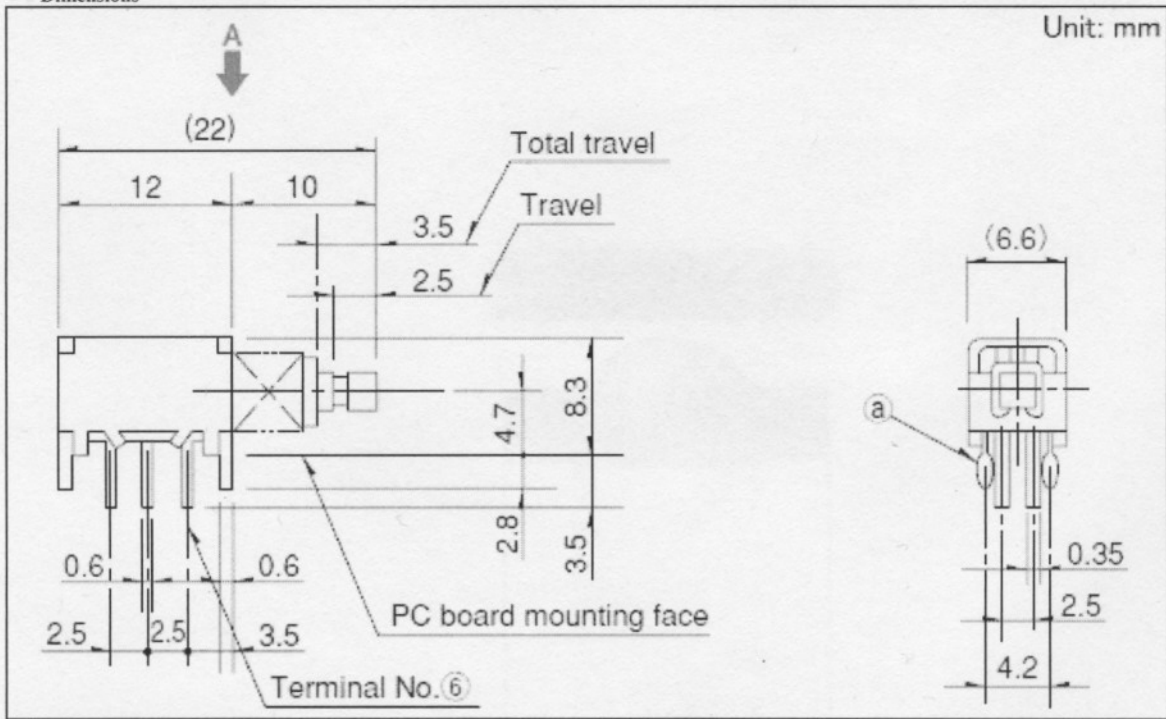


2.5mm-travel Compact-sized Horizontal Type SPPJ3 Series

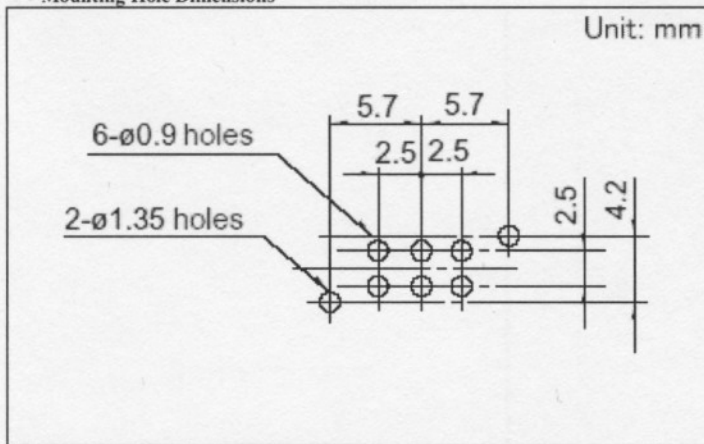
● Detail

Part number		SPPJ320600	
Changeover timing		Non shorting	
Travel		2.5mm	
Total travel		3.5mm	
Operating force		3.3±1N	
Mounting method		PC board	
Poles		2	
Operation		Latching	
Terminal type		For PC board	
Minimum order unit (pcs.)		4,500	
Operating temperature range		-40□ to +85□	
Rating (max.)/(min.) (Resistive load)		0.2A 30V DC/50μA 3V DC	
Electrical performance	Contact resistance (Initial performance/After lifetime)		20mΩ max./40mΩ max.
	Insulation resistance		100MΩ min. 500V DC
	Voltage proof		500V AC for 1 minute
Mechanical performance	Terminal strength		5N for 1 minute
	Actuator strength	Operating direction	30N
Resistance to soldering heat	Manual soldering		350±10□, 3(+1, 0)s
	Dip soldering		260±5□, 5±1s
Durability	Operating life without load		10,000 cycles 40mΩ max.
	Operating life with load (Load: as ratings)		10,000 cycles 40mΩ max.
Environmental performance	Cold		-20±2□ for 96h
	Dry heat		85±2□ for 96h
	Damp heat		40±2□, 90 to 95%RH for 96h
3D CAD (STEP)			
Certificate of Compliance to RoHS regulations			

• Dimensions

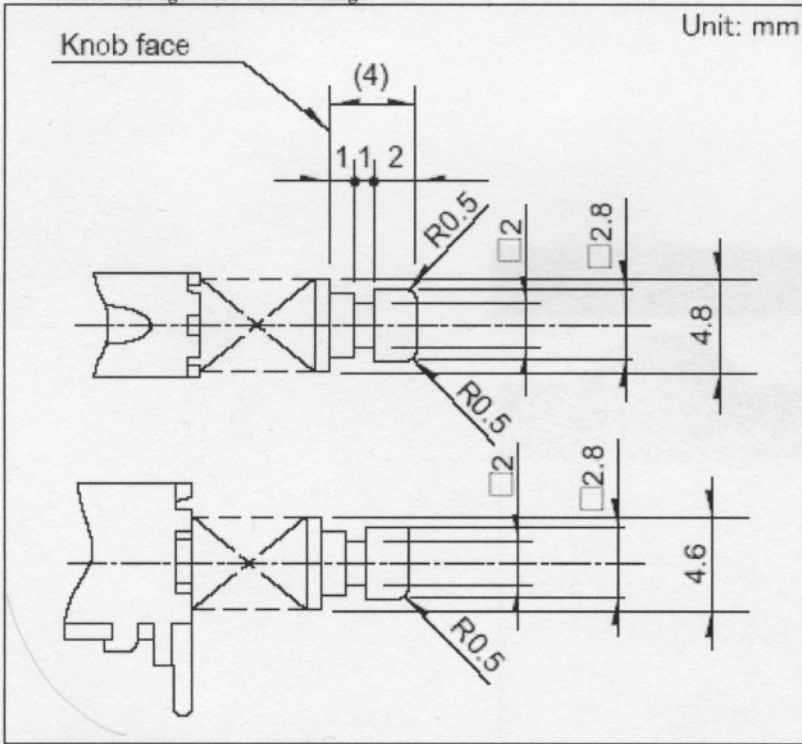


• Mounting Hole Dimensions

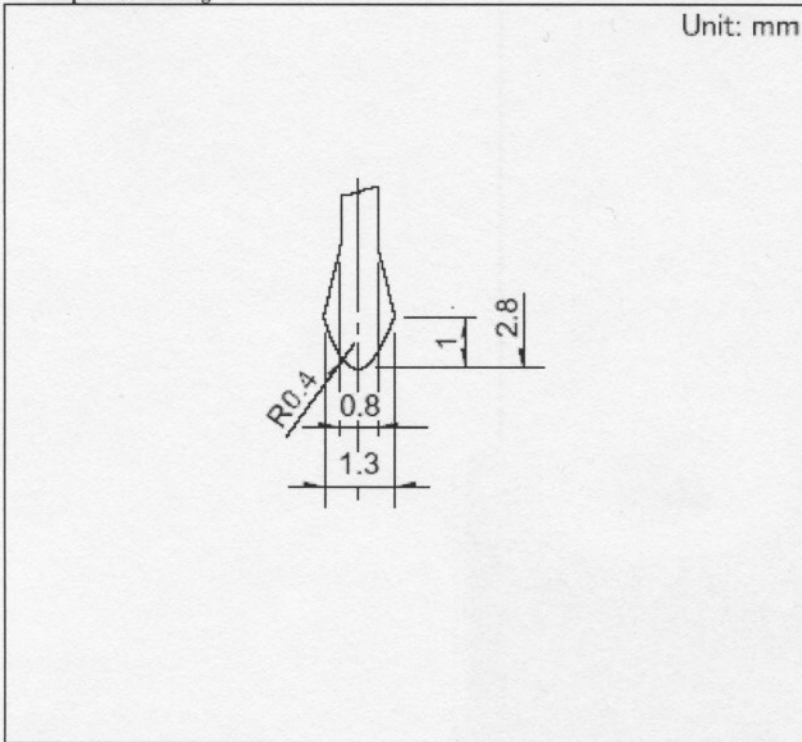


Viewed from direction A in the dimensions.

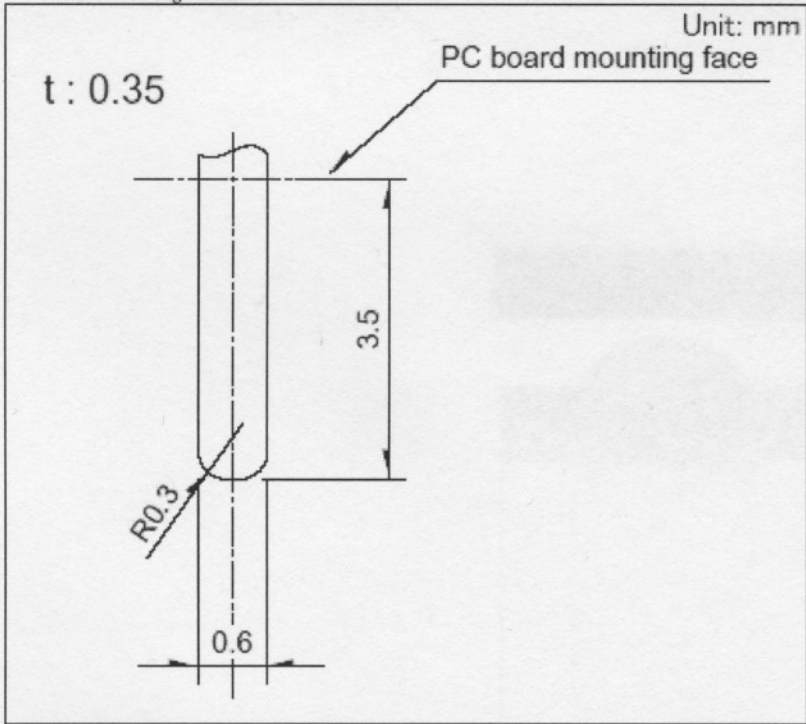
Actuator Configuration at Front Edge



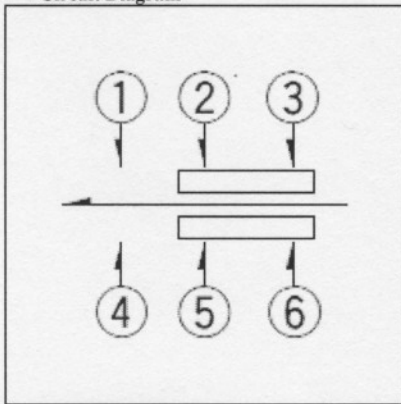
Shape of Frame Leg



Terminal Configuration



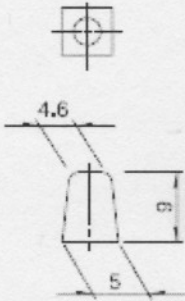
Circuit Diagram



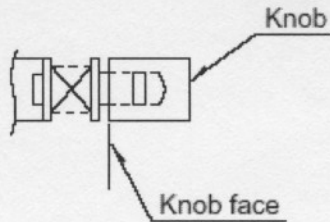
Packing Specifications

Number of packages (pcs.)		Export package measurements (mm)
1 case /Japan	1 case/export packing	
900	4,500	400×270×290

● Attached Parts

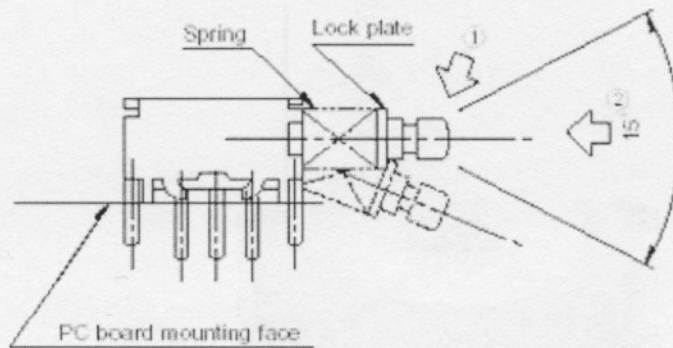
Knob outline drawing (Unit :mm)	Color	Model
	<p>Black Red White</p>	<p>UJ206022 UJ206020 UJ206026</p>


We recommend the use of adhesive to secure the knob when mounting onto switches.



NOTE Notes are common to this series/models.

1. This site catalog shows only outline specifications. When using the products, please obtain formal specifications for supply.
2. Please place purchase orders per minimum order unit (integer).
3. Products other than those listed in the above chart are also available. Please contact us for details.
4. This products can be used in vehicles.
Although these products are designed to perform over a wide operating temperature range, please ensure that you receive and read the formal delivery specifications before use.
5. The SPPJ3 series should be operated in the direction of the arrow 2 as shown in the following figure and used within an angle of 15° in reference to the center. If an excessive force is applied from the direction of the arrow 1 against the lever, it might fall as illustrated, resulting in malfunction.



 Inquiries about Products
For more information please contact: Products Information Center.
1-7, Yukigaya-otsukamachi, Ota-ku, Tokyo, 145-8501, Japan
Phone: +81 (3) 5499-8154