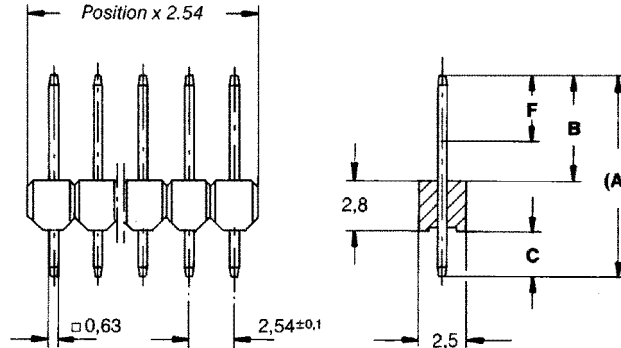
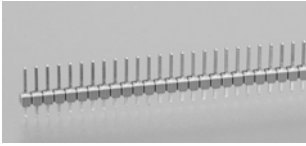


### Low Cost Line Pin Headers—Unshrouded, Single-Row

#### 0.63mm Square Straight Post



#### Material and Finish:

**Housing**—Green polyester, glass filled, UL 94 -V0 rated

**Posts**—Phosphor bronze, plated as follows:

#### Plating A

**Contact Zone (Area F)**—0.8 µm gold over 1.27 µm nickel

**Soldering Zone**—2.5 µm min. tin over 1.27 µm nickel

**Plating B**—2.5 µm min. tin over 1.27 µm nickel

#### Technical Documents:

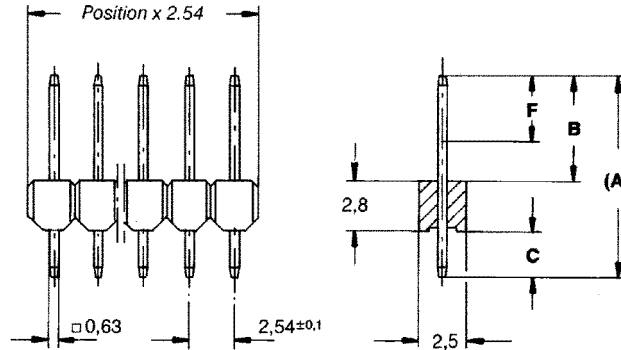
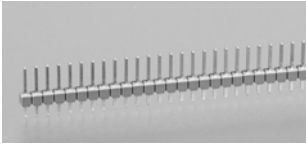
**Product Specification**  
108-18012

No. of Positions	A=11.1 B=5.8 C=2.5 F=4.4	A= 11.5 B= 5.8 C=2.9 F=4.4	A=12.0 B=6.7 C=2.5 F=4.4	A=12.4 B=6.7 C=2.9 F=5.5	A=13.3 B=8.0 C=2.5 F=4.4	A=13.7 B=8.0 C=2.9 F=4.4
	Part Number	Part Number	Part Number	Part Number	Part Number	Part Number
	Plating A	Plating A	Plating A	Plating A	Plating A	Plating A
2	826647-2	826646-2	826630-2	826629-2	826649-2	826648-2
3	826647-3	826646-3	826630-3	826629-3	826649-3	826648-3
4	826647-4	826646-4	826630-4	826629-4	826649-4	826648-4
5	826647-5	826646-5	826630-5	826629-5	826649-5	826648-5
6	826647-6	826646-6	826630-6	826629-6	826649-6	826648-6
7	826647-7	826646-7	826630-7	826629-7	826649-7	826648-7
8	826647-8	826646-8	826630-8	826629-8	826649-8	826648-8
9	826647-9	826646-9	826630-9	826629-9	826649-9	826648-9
10	1-826647-0	1-826646-0	1-826630-0	1-826629-0	1-826649-0	1-826648-0
11	1-826647-1	1-826646-1	1-826630-1	1-826629-1	1-826649-1	1-826648-1
12	1-826647-2	1-826646-2	1-826630-2	1-826629-2	1-826649-2	1-826648-2
13	1-826647-3	1-826646-3	1-826630-3	1-826629-3	1-826649-3	1-826648-3
14	1-826647-4	1-826646-4	1-826630-4	1-826629-4	1-826649-4	1-826648-4
15	1-826647-5	1-826646-5	1-826630-5	1-826629-5	1-826649-5	1-826648-5
16	1-826647-6	1-826646-6	1-826630-6	1-826629-6	1-826649-6	1-826648-6
17	1-826647-7	1-826646-7	1-826630-7	1-826629-7	1-826649-7	1-826648-7
18	1-826647-8	1-826646-8	1-826630-8	1-826629-8	1-826649-8	1-826648-8
19	1-826647-9	1-826646-9	1-826630-9	1-826629-9	1-826649-9	1-826648-9
20	2-826647-0	2-826646-0	2-826630-0	2-826629-0	2-826649-0	2-826648-0
30	3-826647-0	3-826646-0	3-826630-0	3-826629-0	3-826649-0	3-826648-0
40	4-826647-0	4-826646-0	4-826630-0	4-826629-0	4-826649-0	4-826648-0
50	5-826647-0	5-826646-0	5-826630-0	5-826629-0	5-826649-0	5-826648-0

**Ordering Information:** For intermediate number of positions, dash numbers should be combined properly

### Low Cost Line Pin Headers—Unshrouded, Single-Row (continued)

#### 0.63mm Square Straight Post



#### Material and Finish:

**Housing**—Green polyester, glass filled, UL 94 -V0 rated

**Posts**—Phosphor bronze, plated as follows:

#### Plating A

**Contact Zone**—0.8 µm gold over 1.27 µm nickel

**Plating B**—2.5 µm min. tin over 1.27 µm nickel

#### Technical Documents:

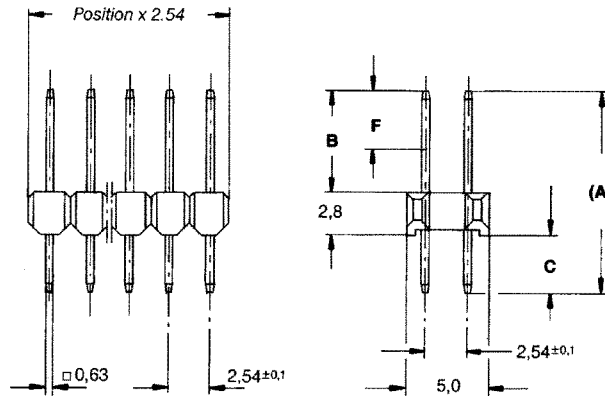
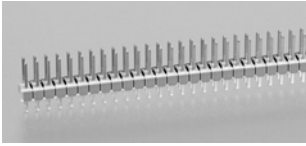
**Product Specification**  
108-18012

No. of Positions	A=11.1 B=5.8 C=2.5 F=4.4	A= 11.5 B= 5.8 C=2.9 F=4.4	A=12.0 B=6.7 C=2.5 F=4.4	A=12.4 B=6.7 C=2.9 F=5.5	A=13.3 B=8.0 C=2.5 F=4.4	A=13.7 B=8.0 C=2.9 F=4.4
	Part Number	Part Number	Part Number	Part Number	Part Number	Part Number
	Plating B	Plating B	Plating B	Plating B	Plating B	Plating B
2	826937-2	826936-2	826935-2	826926-2	826939-2	826938-2
3	826937-3	826936-3	826935-3	826926-3	826939-3	826938-3
4	826937-4	826936-4	826935-4	826926-4	826939-4	826938-4
5	826937-5	826936-5	826935-5	826926-5	826939-5	826938-5
6	826937-6	826936-6	826935-6	826926-6	826939-6	826938-6
7	826937-7	826936-7	826935-7	826926-7	826939-7	826938-7
8	826937-8	826936-8	826935-8	826926-8	826939-8	826938-8
9	826937-9	826936-9	826935-9	826926-9	826939-9	826938-9
10	1-826937-0	1-826936-0	1-826935-0	1-826926-0	1-826939-0	1-826938-0
11	1-826937-1	1-826936-1	1-826935-1	1-826926-1	1-826939-1	1-826938-1
12	1-826937-2	1-826936-2	1-826935-2	1-826926-2	1-826939-2	1-826938-2
13	1-826937-3	1-826936-3	1-826935-3	1-826926-3	1-826939-3	1-826938-3
14	1-826937-4	1-826936-4	1-826935-4	1-826926-4	1-826939-4	1-826938-4
15	1-826937-5	1-826936-5	1-826935-5	1-826926-5	1-826939-5	1-826938-5
16	1-826937-6	1-826936-6	1-826935-6	1-826926-6	1-826939-6	1-826938-6
17	1-826937-7	1-826936-7	1-826935-7	1-826926-7	1-826939-7	1-826938-7
18	1-826937-8	1-826936-8	1-826935-8	1-826926-8	1-826939-8	1-826938-8
19	1-826937-9	1-826936-9	1-826935-9	1-826926-9	1-826939-9	1-826938-9
20	2-826937-0	2-826936-0	2-826935-0	2-826926-0	2-826939-0	2-826938-0
30	3-826937-0	3-826936-0	3-826935-0	3-826926-0	3-826939-0	3-826938-0
40	4-826937-0	4-826936-0	4-826935-0	4-826926-0	4-826939-0	4-826938-0
50	5-826937-0	5-826936-0	5-826935-0	5-826926-0	5-826939-0	5-826938-0

**Ordering Information:** For intermediate number of positions, dash numbers should be combined properly

### Low Cost Line Pin Headers—Unshrouded, Double-Row

#### 0.63mm Square Straight Post



#### Material and Finish:

**Housing**—Green polyester, glass filled, UL 94 -V0 rated

**Posts**—Phosphor bronze, plated as follows:

#### Plating A

**Contact Zone (Area F)**—0.8 µm gold over 1.27 µm nickel

**Soldering Zone**—2.5 µm min. tin over 1.27 µm nickel

**Plating B**—2.5 µm min. tin over 1.27 µm nickel

#### Technical Documents:

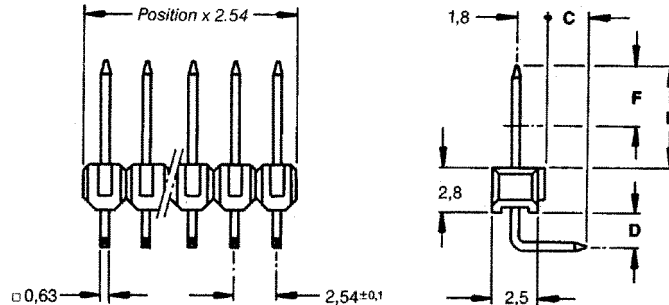
**Product Specification**  
108-18012

No. of Positions	A=11.5 B=5.8 C=2.9 F=4.4		A=12.4 B=6.7 C=2.9 F=5.5		A=13.7 B=8.0 C=2.9 F=4.4	
	Part Number / Plating		Part Number / Plating		Part Number / Plating	
	Plating A	Plating B	Plating A	Plating B	Plating A	Plating B
2x2	826656-2	826942-2	826632-2	826925-2	826658-2	826944-2
2x3	826656-3	826942-3	826632-3	826925-3	826658-3	826944-3
2x4	826656-4	826942-4	826632-4	826925-4	826658-4	826944-4
2x5	826656-5	826942-5	826632-5	826925-5	826658-5	826944-5
2x6	826656-6	826942-6	826632-6	826925-6	826658-6	826944-6
2x7	826656-7	826942-7	826632-7	826925-7	826658-7	826944-7
2x8	826656-8	826942-8	826632-8	826925-8	826658-8	826944-8
2x9	826656-9	826942-9	826632-9	826925-9	826658-9	826944-9
2x10	1-826656-0	1-826942-0	1-826632-0	1-826925-0	1-826658-0	1-826944-0
2x11	1-826656-1	1-826942-1	1-826632-1	1-826925-1	1-826658-1	1-826944-1
2x12	1-826656-2	1-826942-2	1-826632-2	1-826925-2	1-826658-2	1-826944-2
2x13	1-826656-3	1-826942-3	1-826632-3	1-826925-3	1-826658-3	1-826944-3
2x14	1-826656-4	1-826942-4	1-826632-4	1-826925-4	1-826658-4	1-826944-4
2x15	1-826656-5	1-826942-5	1-826632-5	1-826925-5	1-826658-5	1-826944-5
2x16	1-826656-6	1-826942-6	1-826632-6	1-826925-6	1-826658-6	1-826944-6
2x17	1-826656-7	1-826942-7	1-826632-7	1-826925-7	1-826658-7	1-826944-7
2x18	1-826656-8	1-826942-8	1-826632-8	1-826925-8	1-826658-8	1-826944-8
2x19	1-826656-9	1-826942-9	1-826632-9	1-826925-9	1-826658-9	1-826944-9
2x20	2-826656-0	2-826942-0	2-826632-0	2-826925-0	2-826658-0	2-826944-0
2x30	3-826656-0	3-826942-0	3-826632-0	3-826925-0	3-826658-0	3-826944-0
2x40	4-826656-0	4-826942-0	4-826632-0	4-826925-0	4-826658-0	4-826944-0
2x50	5-826656-0	5-826942-0	5-826632-0	5-826925-0	5-826658-0	5-826944-0

**Ordering Information:** For intermediate number of positions, dash numbers should be combined properly

### Low Cost Line Pin Headers—Unshrouded, Single-Row

#### 0.63mm Square Straight Post



#### Material and Finish:

**Housing**—Green polyester, glass filled, UL 94 -V0 rated

**Posts**—Phosphor bronze, plated as follows:

#### Plating A

**Contact Zone (Area F)**—0.8 µm gold over 1.27 µm nickel

**Soldering Zone**—2.5 µm min. tin over 1.27 µm nickel

**Plating B**—2.5 µm min. tin over 1.27 µm nickel

#### Technical Documents:

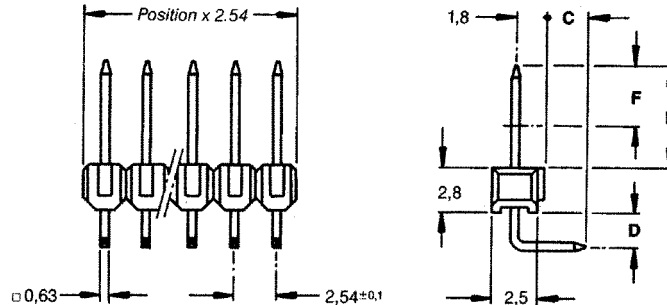
**Product Specification**  
108-18012

No. of Positions	D=1.3 B=5.8 C=2.5 F=4.4	D=1.3 B=5.8 C=2.9 F=4.4	D=1.3 B=6.7 C=2.5 F=4.4	D=1.3 B=6.7 C=2.9 F=5.5	D=1.3 B=8.0 C=2.5 F=4.4	D=1.3 B=8.0 C=2.9 F=4.4
	Part Number	Part Number	Part Number	Part Number	Part Number	Part Number
	Plating A	Plating A	Plating A	Plating A	Plating A	Plating A
2	826653-2	826652-2	826651-2	826631-2	826655-2	826654-2
3	826653-3	826652-3	826651-3	826631-3	826655-3	826654-3
4	826653-4	826652-4	826651-4	826631-4	826655-4	826654-4
5	826653-5	826652-5	826651-5	826631-5	826655-5	826654-5
6	826653-6	826652-6	826651-6	826631-6	826655-6	826654-6
7	826653-7	826652-7	826651-7	826631-7	826655-7	826654-7
8	826653-8	826652-8	826651-8	826631-8	826655-8	826654-8
9	826653-9	826652-9	826651-9	826631-9	826655-9	826654-9
10	1-826653-0	1-826652-0	1-826651-0	1-826631-0	1-826655-0	1-826654-0
11	1-826653-1	1-826652-1	1-826651-1	1-826631-1	1-826655-1	1-826654-1
12	1-826653-2	1-826652-2	1-826651-2	1-826631-2	1-826655-2	1-826654-2
13	1-826653-3	1-826652-3	1-826651-3	1-826631-3	1-826655-3	1-826654-3
14	1-826653-4	1-826652-4	1-826651-4	1-826631-4	1-826655-4	1-826654-4
15	1-826653-5	1-826652-5	1-826651-5	1-826631-5	1-826655-5	1-826654-5
16	1-826653-6	1-826652-6	1-826651-6	1-826631-6	1-826655-6	1-826654-6
17	1-826653-7	1-826652-7	1-826651-7	1-826631-7	1-826655-7	1-826654-7
18	1-826653-8	1-826652-8	1-826651-8	1-826631-8	1-826655-8	1-826654-8
19	1-826653-9	1-826652-9	1-826651-9	1-826631-9	1-826655-9	1-826654-9
20	2-826653-0	2-826652-0	2-826651-0	2-826631-0	2-826655-0	2-826654-0
30	3-826653-0	3-826652-0	3-826651-0	3-826631-0	3-826655-0	3-826654-0
40	4-826653-0	4-826652-0	4-826651-0	4-826631-0	4-826655-0	4-826654-0
50	5-826653-0	5-826652-0	5-826651-0	5-826631-0	5-826655-0	5-826654-0

**Ordering Information:** For intermediate number of positions, dash numbers should be combined properly

### Low Cost Line Pin Headers—Unshrouded, Single-Row (continued)

#### 0.63mm Square Straight Post



#### Material and Finish:

**Housing**—Green polyester, glass filled, UL 94 -V0 rated

**Posts**—Phosphor bronze, plated as follows:

#### Plating A

**Contact Zone**—0.8 µm gold over 1.27 µm nickel

**Plating B**—2.5 µm min. tin over 1.27 µm nickel

#### Technical Documents:

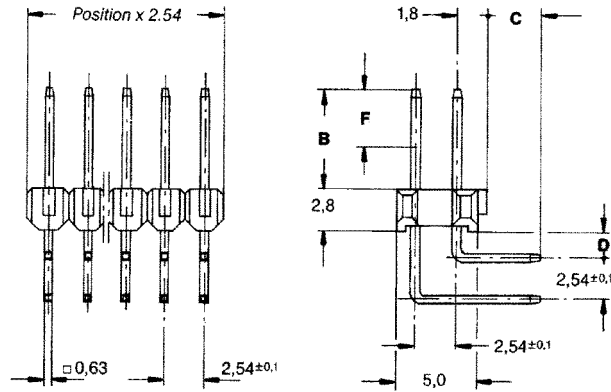
**Product Specification**  
108-18012

No. of Positions	D=1.3 B=5.8 C=2.5 F=4.4	D=1.3 B=5.8 C=2.9 F=4.4	D=1.3 B=6.7 C=2.5 F=4.4	D=1.3 B=6.7 C=2.9 F=5.5	D=1.3 B=8.0 C=2.5 F=4.4	D=1.3 B=8.0 C=2.9 F=4.4
	Part Number	Part Number	Part Number	Part Number	Part Number	Part Number
	Plating B	Plating B	Plating B	Plating B	Plating B	Plating B
2	826950-2	826949-2	826948-2	826947-2	826952-2	826951-2
3	826950-3	826949-3	826948-3	826947-3	826952-3	826951-3
4	826950-4	826949-4	826948-4	826947-4	826952-4	826951-4
5	826950-5	826949-5	826948-5	826947-5	826952-5	826951-5
6	826950-6	826949-6	826948-6	826947-6	826952-6	826951-6
7	826950-7	826949-7	826948-7	826947-7	826952-7	826951-7
8	826950-8	826949-8	826948-8	826947-8	826952-8	826951-8
9	826950-9	826949-9	826948-9	826947-9	826952-9	826951-9
10	1-826950-0	1-826949-0	1-826948-0	1-826947-0	1-826952-0	1-826951-0
11	1-826950-1	1-826949-1	1-826948-1	1-826947-1	1-826952-1	1-826951-1
12	1-826950-2	1-826949-2	1-826948-2	1-826947-2	1-826952-2	1-826951-2
13	1-826950-3	1-826949-3	1-826948-3	1-826947-3	1-826952-3	1-826951-3
14	1-826950-4	1-826949-4	1-826948-4	1-826947-4	1-826952-4	1-826951-4
15	1-826950-5	1-826949-5	1-826948-5	1-826947-5	1-826952-5	1-826951-5
16	1-826950-6	1-826949-6	1-826948-6	1-826947-6	1-826952-6	1-826951-6
17	1-826950-7	1-826949-7	1-826948-7	1-826947-7	1-826952-7	1-826951-7
18	1-826950-8	1-826949-8	1-826948-8	1-826947-8	1-826952-8	1-826951-8
19	1-826950-9	1-826949-9	1-826948-9	1-826947-9	1-826952-9	1-826951-9
20	2-826950-0	2-826949-0	2-826948-0	2-826947-0	2-826952-0	2-826951-0
30	3-826950-0	3-826949-0	3-826948-0	3-826947-0	3-826952-0	3-826951-0
40	4-826950-0	4-826949-0	4-826948-0	4-826947-0	4-826952-0	4-826951-0
50	5-826950-0	5-826949-0	5-826948-0	5-826947-0	5-826952-0	5-826951-0

**Ordering Information:** For intermediate number of positions, dash numbers should be combined properly

### Low Cost Line Pin Headers—Unshrouded, Double-Row

#### 0.63mm Square Right-Angle Post



#### Material and Finish:

**Housing**—Green polyester, glass filled, UL 94 -V0 rated

**Posts**—Phosphor bronze, plated as follows:

#### Plating A

**Contact Zone (Area F)**—0.8 µm gold over 1.27 µm nickel

**Soldering Zone**—2.5 µm min. tin over 1.27 µm nickel

**Plating B**—2.5 µm min. tin over 1.27 µm nickel

#### Technical Documents:

**Product Specification**  
108-18012

No. of Positions	D=1.3 B=5.8 C=2.9 F=4.4		D=1.3 B=6.7 C=2.9 F=5.5		D=1.3 B=8.0 C=2.9 F=4.4	
	Part Number / Plating		Part Number / Plating		Part Number / Plating	
	Plating A	Plating B	Plating A	Plating B	Plating A	Plating B
2x2	826662-2	826955-2	826634-2	826953-2	826664-2	826957-2
2x3	826662-3	826955-3	826634-3	826953-3	826664-3	826957-3
2x4	826662-4	826955-4	826634-4	826953-4	826664-4	826957-4
2x5	826662-5	826955-5	826634-5	826953-5	826664-5	826957-5
2x6	826662-6	826955-6	826634-6	826953-6	826664-6	826957-6
2x7	826662-7	826955-7	826634-7	826953-7	826664-7	826957-7
2x8	826662-8	826955-8	826634-8	826953-8	826664-8	826957-8
2x9	826662-9	826955-9	826634-9	826953-9	826664-9	826957-9
2x10	1-826662-0	1-826955-0	1-826634-0	1-826953-0	1-826664-0	1-826957-0
2x11	1-826662-1	1-826955-1	1-826634-1	1-826953-1	1-826664-1	1-826957-1
2x12	1-826662-2	1-826955-2	1-826634-2	1-826953-2	1-826664-2	1-826957-2
2x13	1-826662-3	1-826955-3	1-826634-3	1-826953-3	1-826664-3	1-826957-3
2x14	1-826662-4	1-826955-4	1-826634-4	1-826953-4	1-826664-4	1-826957-4
2x15	1-826662-5	1-826955-5	1-826634-5	1-826953-5	1-826664-5	1-826957-5
2x16	1-826662-6	1-826955-6	1-826634-6	1-826953-6	1-826664-6	1-826957-6
2x17	1-826662-7	1-826955-7	1-826634-7	1-826953-7	1-826664-7	1-826957-7
2x18	1-826662-8	1-826955-8	1-826634-8	1-826953-8	1-826664-8	1-826957-8
2x19	1-826662-9	1-826955-9	1-826634-9	1-826953-9	1-826664-9	1-826957-9
2x20	2-826662-0	2-826955-0	2-826634-0	2-826953-0	2-826664-0	2-826957-0
2x30	3-826662-0	3-826955-0	3-826634-0	3-826953-0	3-826664-0	3-826957-0
2x40	4-826662-0	4-826955-0	4-826634-0	4-826953-0	4-826664-0	4-826957-0
2x50	5-826662-0	5-826955-0	5-826634-0	5-826953-0	5-826664-0	5-826957-0

**Ordering Information:** For intermediate number of positions, dash numbers should be combined properly