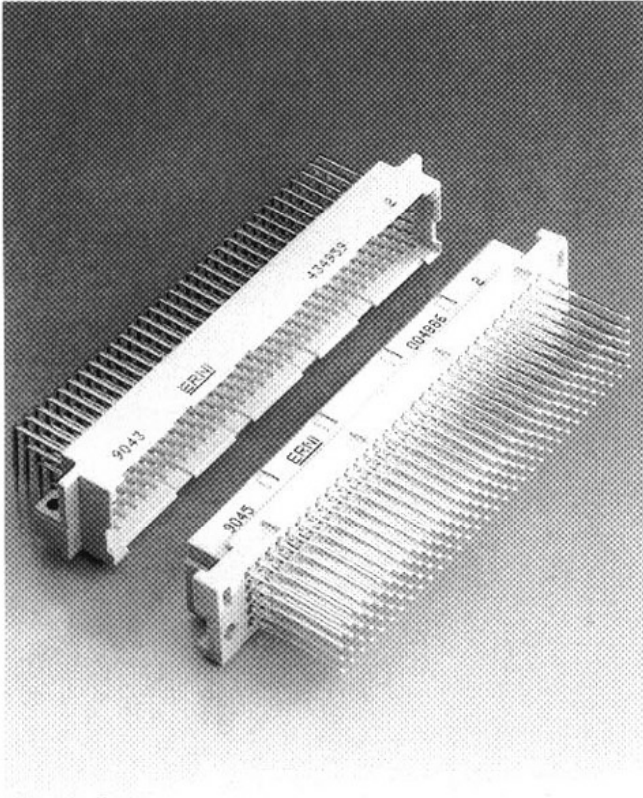


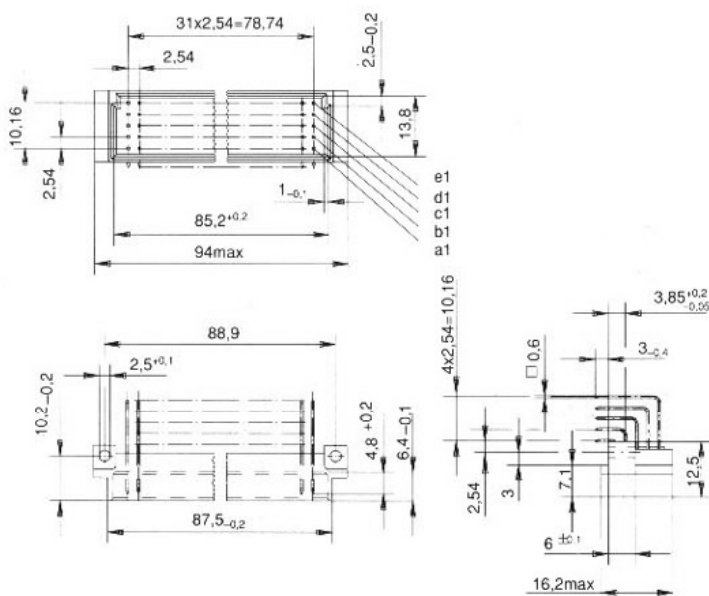
Size E 160

Design same as size E DIN 41 612

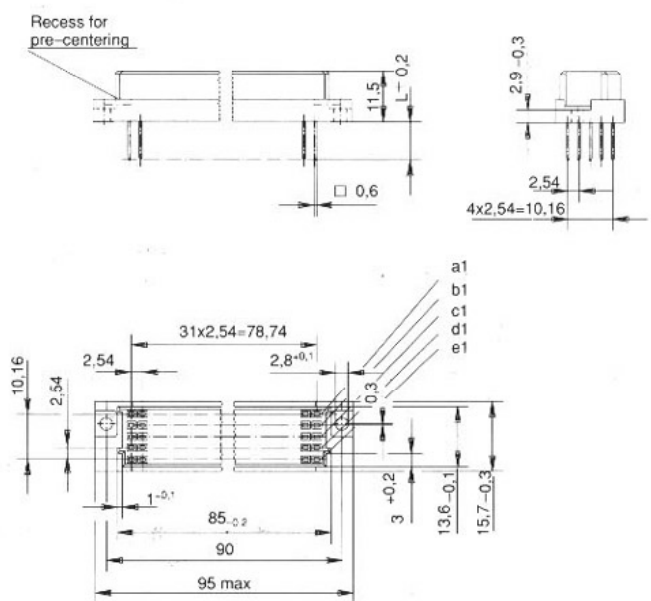


Dimensional drawings

Male connector



Female connector

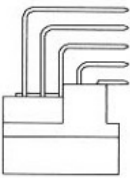


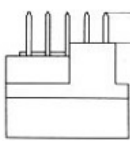


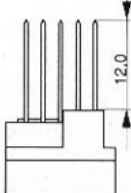
DIN 41612

Ordering details

Male connectors

	STV-E 160-M-abcde		
	107	207	307
PBTP	004 777	004 778	004 779

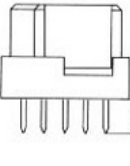
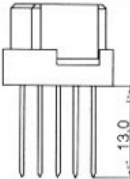
	STV-E 160-M-abcde		
	107	207	307
PBTP	013 123	013 058	

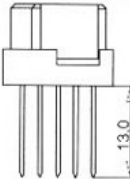
	STV-E 160-M-abcde		
	107	207	307
PBTP	013 124		

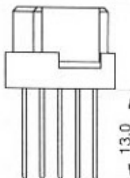
Male connectors with early make/last break contacts can be loaded in any position. Further versions on request.

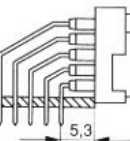
For ordering details regarding angled press-fit male connectors please refer to the Data Sheet titled "Plug-in connectors with right-angled press-in terminations".

Female connectors

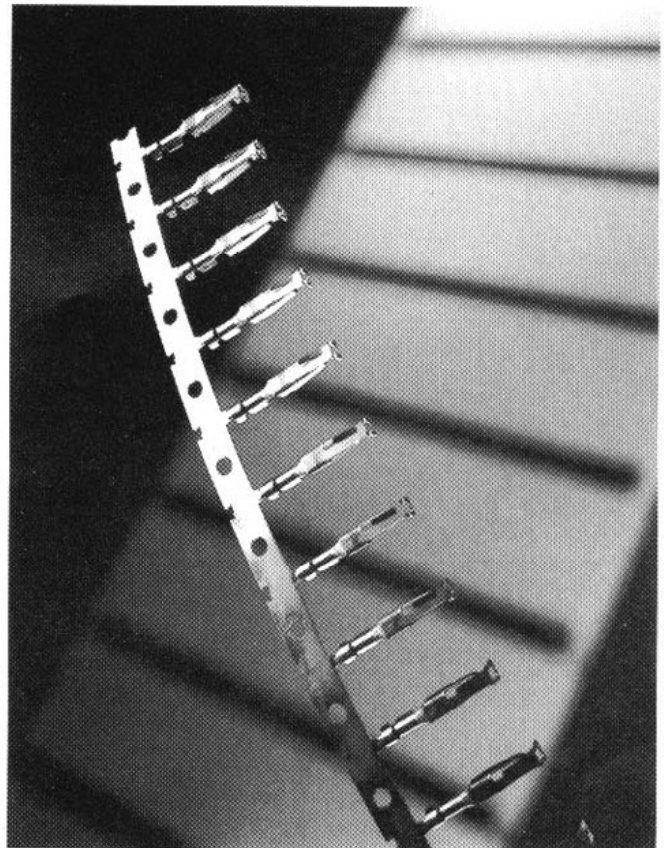
	STV-E 160-F-abcde		
	<i>No cover plate, insulator on bottom side open</i>		
	107	207	307
PBTP	913 994		
	STV-E 160-F-abcde		
	<i>No cover plate, insulator on bottom side open</i>		
	107	207	307
PC	424 871		

	STV-E 160-F-abcde		
	107	207	307
PC	424 872		

	STV-E 160-F-abcde ^①		
	101	201	301
PC	594 983	594 754	

	STV-E 160-F-abcde		
	101	201	301
PC	594 905		

Crimp-Snap-In Technique



For ordering details regarding female crimp snap-in connectors please refer to the Data Sheet titled "Connectors for the crimp snap-in technique". For ordering details regarding female press-fit connectors please refer to the Data Sheet titled "ERNIPRESS".

Other versions on request

① Entire length of contacts nickel-plated, transfer zone (5 mm) solid-gold plated

<u>Part-No.</u>	<u>Page</u>
004777	2
004778	2
004779	2
013058	2
013123	2
013124	2
424871	2
424872	2
594754	2
594905	2
594983	2
913994	2

To locate an ERNI-Sales office / Distributor near you, select <http://connect.erni.com/html/erni-contact.htm>