

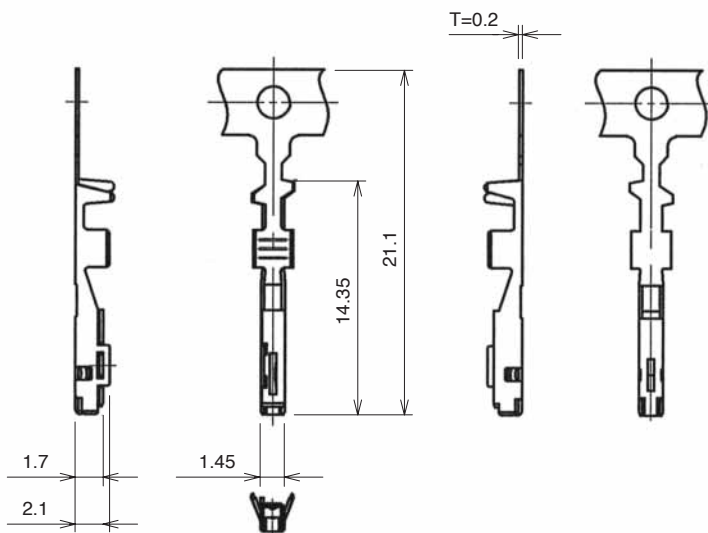


GT17 Series

Coaxial cable connection of Antennas, Sensors, and Communication Trunk Lines  
 GT 5  
 GT 13  
 GT 16  
 PO5G  
 GT 11  
 GT 14  
 GT 17  
 GT 19  
 GT 3  
 GT 6W  
 GT 7  
 GT 10  
 GT 18W  
 GT 15  
 GT 8  
 GT 9  
 GT 25

## F Connectors

### Center Terminals (Used with 6, 8, and 10 conductor cable)

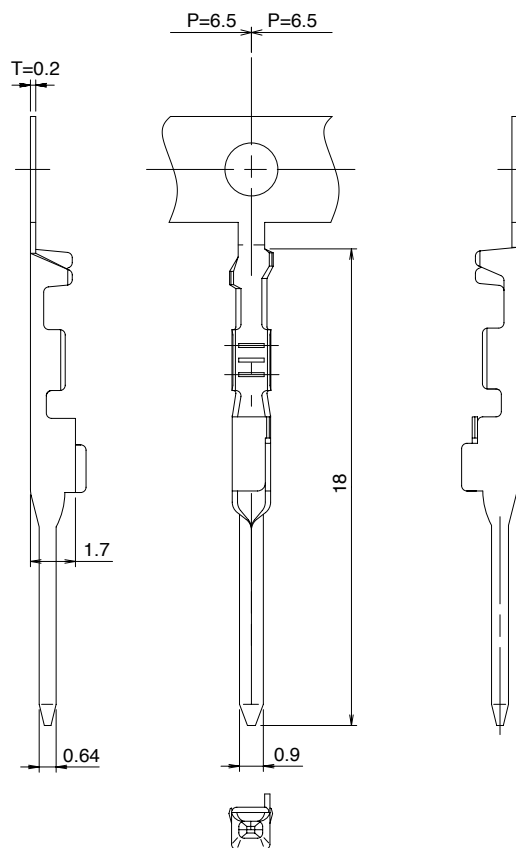
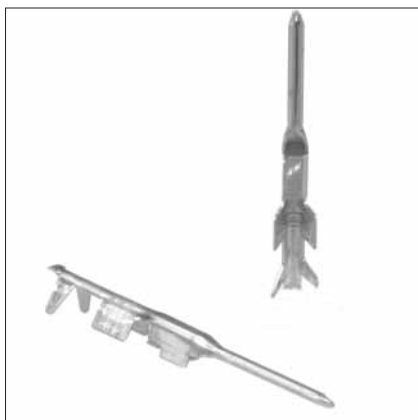


These are lead-free products.

Part Number	CL No.	Material	Finish	Conductor Size (AWG)	Outer Diameter	Packaging	RoHS
GT17-2022SCF	767-0009-0	Copper alloy	Tin plating	#20 to 22	1.1 to 1.3 mm	10,000 pcs. per reel	YES
GT17-2428SCF	767-0010-0	Copper alloy	Tin plating	#24 to 28	0.7 to 1.0 mm	10,000 pcs. per reel	
GT17-30SCF	767-0064-9	Copper alloy	Tin plating	#30	1.1 to 1.3 mm	10,000 pcs. per reel	
GT17B-2428SCF	767-0122-3	Copper alloy	Tin plating	#24 to 28	0.5 to 0.7 mm	10,000 pcs. per reel	

## M Connectors

### Center Terminals (Used with 6, 8, and 10 conductor cable)

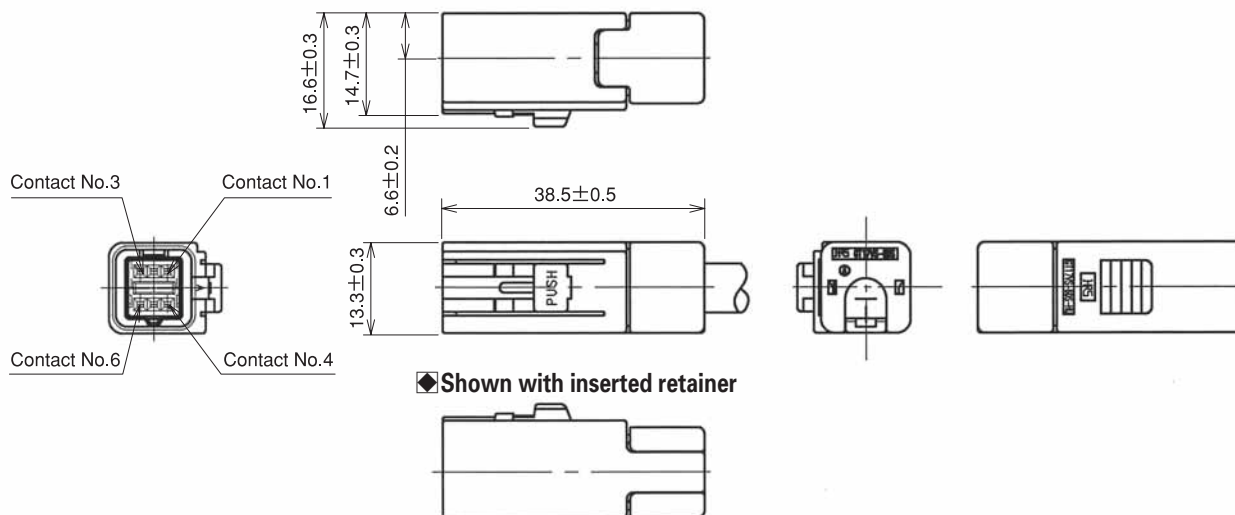


These are lead-free products.

Part Number	CL No.	Material	Finish	Conductor Size (AWG)	Outer Diameter	Packaging	RoHS
GT17-2022PCF	767-0082-0	Copper alloy	Tin plating	AWG#20~22	1.1 to 1.3 mm	10,000 pcs. per reel	YES
GT17-2428PCF	767-0076-8	Copper alloy	Tin plating	AWG#24~28	0.7 to 1.0 mm	10,000 pcs. per reel	
GT17A-2428PCF	767-0121-0	Copper alloy	Tin plating	AWG#24~28	1.1 to 1.3 mm	10,000 pcs. per reel	

## 6-Conductor Straight Connectors

◆ By using each of the two differently keyed types of housing for different purposes, incorrect insertion can be prevented.



◆ The product comprises 6 parts.

(Housing, insulator, outer terminal, shield plate, retainer, and center terminal)

### ● Housing

Part Number	CL No.	Material / Finish or Color	Packaging	RoHS
GT17VS-6DS-HU	767-0051-7	PBT/Light Gray	1	YES
GT17VSA-6DS-HU	767-0052-0	PBT/Black	1	

### ● Insulator

Part Number	CL No.	Material / Finish or Color	Packaging	RoHS
GT17V-6DS-2C	767-0026-0	PBT/Dark Gray	1	YES

### ● Outer terminal

Part Number	CL No.	Material / Finish or Color	Packaging	Remarks	RoHS
GT17VS-6DS-5CF	767-0050-4	Copper alloy / Tin plating	1	Conductor Size 4.8 to 5.2mm	YES

### ● Shield plate

Part Number	CL No.	Material / Finish or Color	Packaging	RoHS
GT17VS-6DS-SC	767-0049-5	Copper alloy / Tin plating	1	YES

### ● Retainer

Part Number	CL No.	Material / Finish or Color	Packaging	RoHS
GT17VS-6DS-R	767-0053-2	PBT/Dark Gray	1	YES

### ● Center terminal

Used with 6, 8, and 10 conductor cable

### ◆ Mating Table

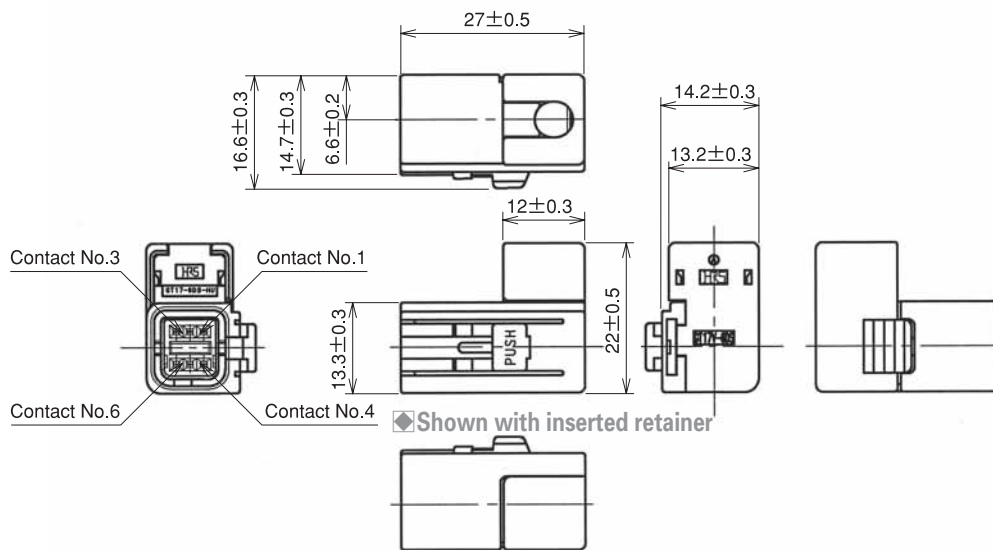
Color	Cable side connector	Board connector
Gray	GT17VS-6DS-HU	GT17V-6DP-DS(70)
		GT17VB-6DP-DS(70)
Black	GT17VSA-6DS-HU	GT17VA-6DP-DS(70)
		GT17VC-6DP-DS(70)

GT17 Series

Coaxial cable connection of Antennas, Sensors, and Communication Trunk Lines  
 GT 5  
 GT 13  
 GT 16  
 PO5G  
 GT 11  
 GT 14  
**GT 17**  
 GT 19  
 GT 3  
 GT 6W  
 GT 7  
 GT 10  
 GT 18W  
 GT 15  
 GT 8  
 GT 9  
 GT 25

## 6-Conductor Right-angle Connectors

By using each of the two differently keyed types of housing for different purposes, incorrect insertion can be prevented.



The product comprises 6 parts.

(Housing, insulator, outer terminal, shield plate, retainer, and center terminal)

● Housing

Part Number	CL No.	Material / Finish or Color	Packaging	RoHS
GT17V-6DS-HU	767-0029-8	PBT / Light Gray	1	YES
GT17VA-6DS-HU	767-0030-7	PBT / Black	1	

● Insulator

Part Number	CL No.	Material / Finish or Color	Packaging	RoHS
GT17V-6DS-2C	767-0026-0	PBT / Dark Gray	1	YES

● Outer terminal

Part Number	CL No.	Material / Finish or Color	Packaging	Remarks	RoHS
GT17V-6DS-5CF	767-0027-2	Copper alloy / Tin plating	1	Conductor Size 4.8 to 5.2mm	YES
GT17V-6DS-3.8CF	767-0075-5	Copper alloy / Tin plating	1	Conductor Size 3.8 to 4.2mm	

● Shield plate

Part Number	CL No.	Material / Finish or Color	Packaging	RoHS
GT17V-6DS-SC	767-0028-5	Copper alloy / Tin plating	1	YES

● Retainer

Part Number	CL No.	Material / Finish or Color	Packaging	RoHS
GT17V-6DS-R	767-0031-0	PBT / Dark Gray	1	YES

● Center terminal

Used with 6,8, and 10 conductor cable

◆ Mating Table

Color	Cable side connector	Board connector
Gray	GT17V-6DS-HU	GT17V-6DP-DS(70)(Cable exit direction, up side from mounting side)
		GT17VB-6DP-DS(70)(Cable exit direction, down side from mounting side)
Black	GT17VA-6DS-HU	GT17VA-6DP-DS(70)(Cable exit direction, up side from mounting side)
		GT17VC-6DP-DS(70)(Cable exit direction, down side from mounting side)

## 6-Conductor Printed Circuit Board Connectors

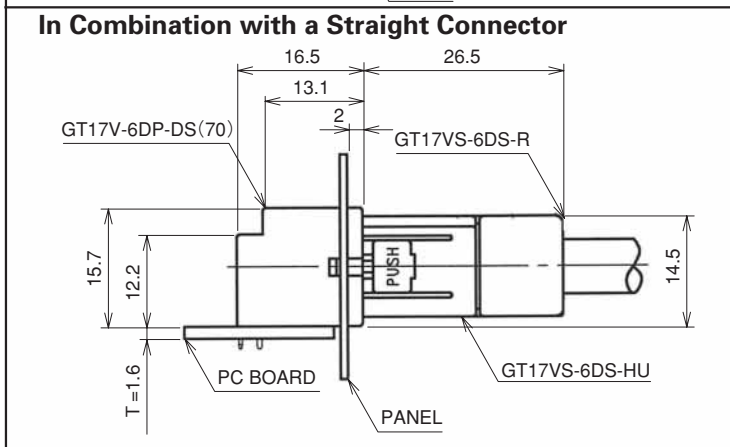
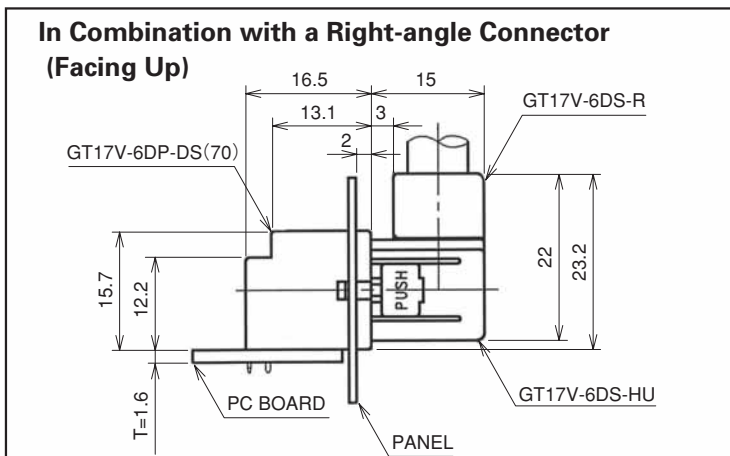
By using each of the two differently keyed types of housing for different purposes, incorrect insertion can be prevented.

● Cable extraction facing up

Part Number	CL No.	Material / Finish or Color	Packaging	RoHS
GT17V-6DP-DS(70)	767-0024-4-70	Housing: PBT/Light gray Center terminal: Brass /Tin plating Outer terminal: Copper alloy /Tin plating	1	YES

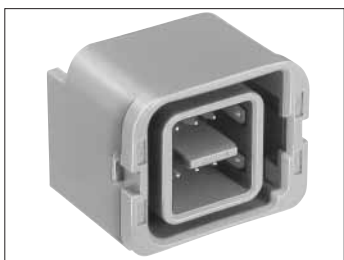


GT17V-6DP-DS(70)

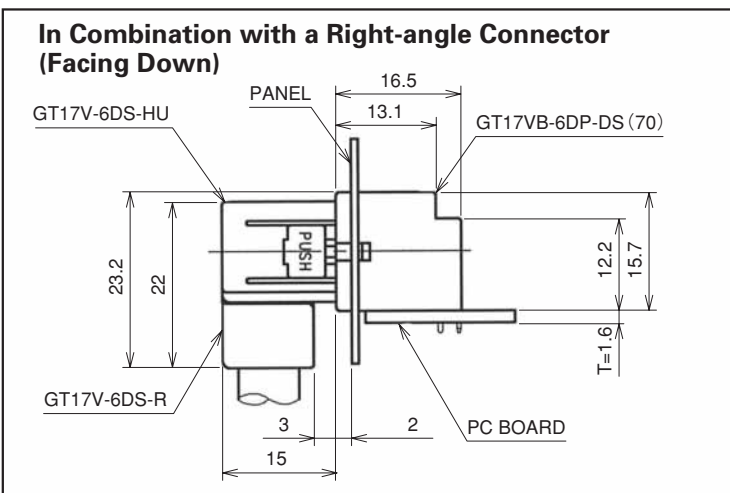


● Cable extraction facing down

Part Number	CL No.	Material / Finish or Color	Packaging	RoHS
GT17VB-6DP-DS(70)	767-0032-2-70	Housing: PBT/Light gray Center terminal: Brass /Tin plating Outer terminal: Copper alloy /Tin plating	1	YES



GT17VB-6DP-DS(70)



GT17 Series

Coaxial cable connection of Antennas, Sensors, and Communication Trunk Lines  
GT 5  
GT 13  
GT 16  
PO5G  
GT 11  
GT 14  
GT 17  
GT 19  
GT 3  
GT 6W  
GT 7  
GT 10  
GT 18W  
GT 15  
GT 8  
GT 9  
GT 25

## 6-Conductor Printed Circuit Board Connectors

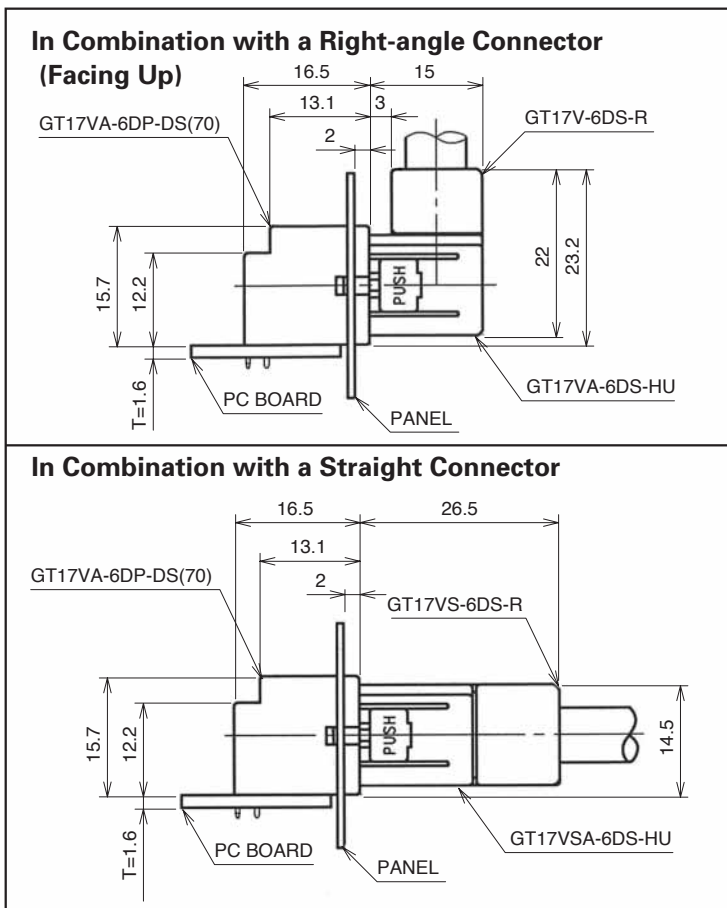
By using each of the two differently keyed types of housing for different purposes, incorrect insertion can be prevented.

● Cable extraction facing up

Part Number	CL No.	Material / Finish or Color	Packaging	RoHS
GT17VA-6DP-DS(70)	767-0025-7-70	Housing: PBT/Black Center terminal: Brass /Tin plating Outer terminal: Copper alloy /Tin plating	1	YES



**GT17VA-6DP-DS(70)**

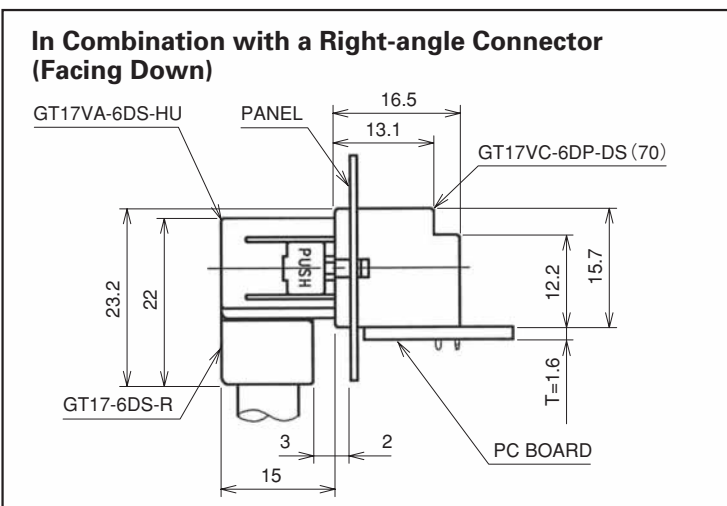


● Cable extraction facing down

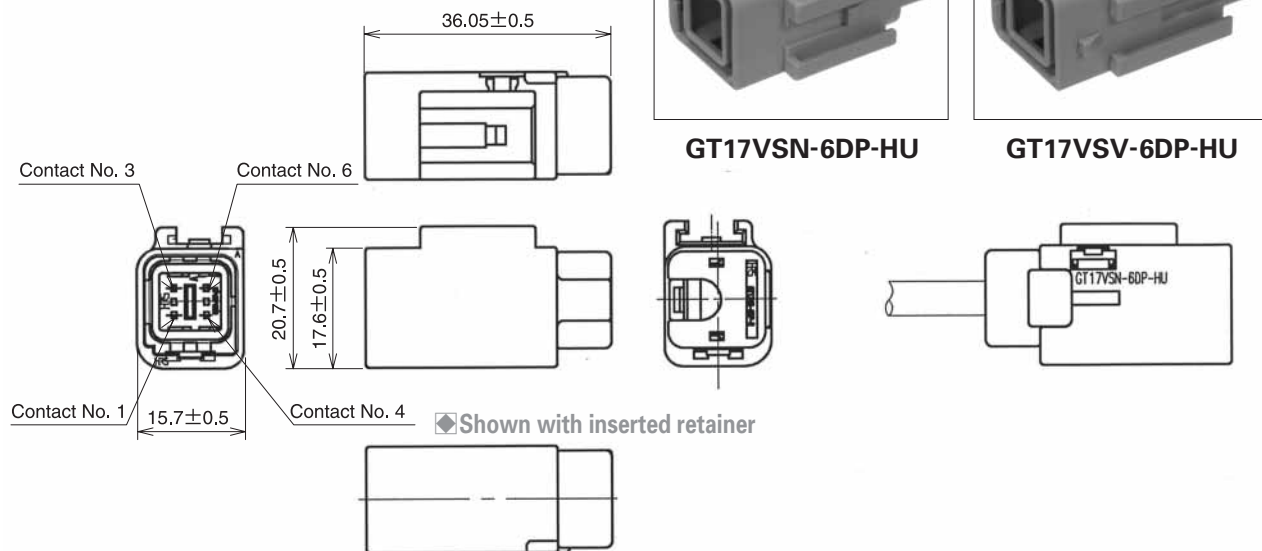
Part Number	CL No.	Material / Finish or Color	Packaging	RoHS
GT17VC-6DP-DS(70)	767-0033-5-70	Housing: PBT/Black Center terminal: Brass /Tin plating Outer terminal: Copper alloy /Tin plating	1	YES



**GT17VC-6DP-DS(70)**



## 6-Conductor Inline Connectors



◆The product comprises 6 parts.  
 (Housing, insulator, outer terminal, shield plate, retainer, and center terminal)

●Housing

Part Number	CL No.	Material / Finish or Color	Packaging	RoHS
GT17VSN-6DP-HU	767-0077-0	PBT / Light Gray	1	YES
GT17VSV-6DP-HU	767-0128-0	PBT / Light Gray	1	

●Insulator

Part Number	CL No.	Material / Finish or Color	Packaging	RoHS
GT17V-6DP-2C	767-0078-3	PBT / Dark Gray	1	YES

●Outer terminal

Part Number	CL No.	Material / Finish or Color	Packaging	Remarks	RoHS
GT17VS-6DP-5CF	767-0080-5	Copper alloy / Tin plating	1	Conductor Size 4.8 to 5.2mm	YES

●Shield plate

Part Number	CL No.	Material / Finish or Color	Packaging	RoHS
GT17VS-6DP-SC	767-0079-6	Copper alloy / Tin plating	1	YES

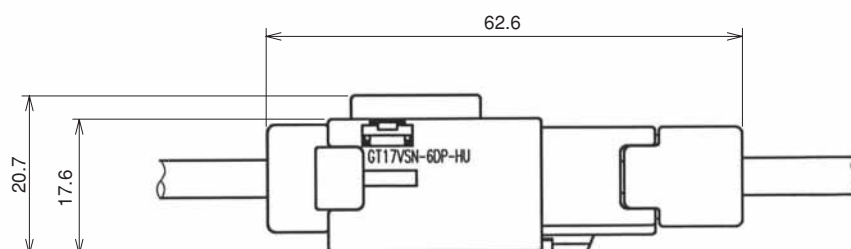
●Retainer

Part Number	CL No.	Material / Finish or Color	Packaging	RoHS
GT17VS-6DP-R	767-0081-8	PBT / Dark Gray	1	YES

●Center terminal

Used with 6,8, and 10 conductor cable

### GT17 6-Conductor Inline Connector Mounting Condition

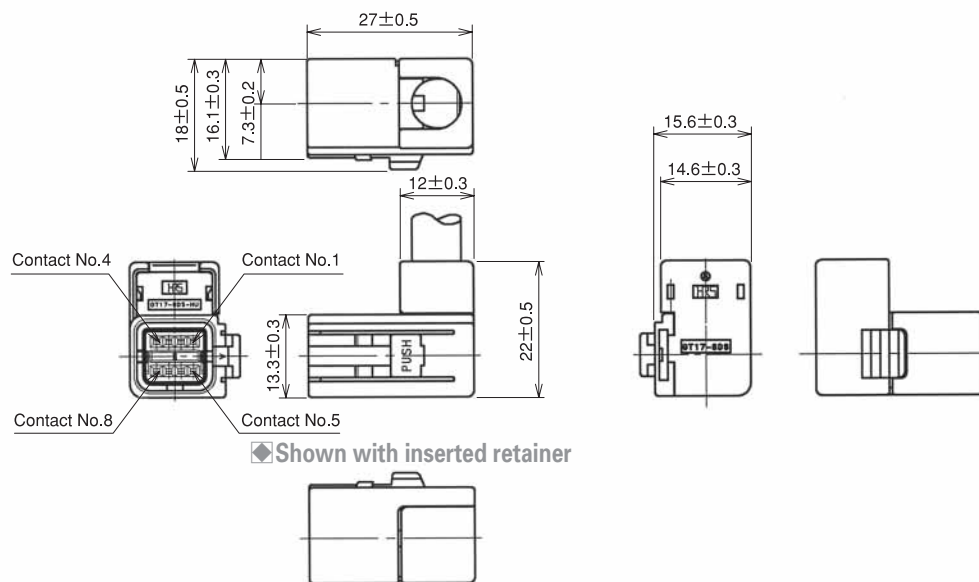


GT17 Series

Coaxial cable connection of Antennas, Sensors, and Communication Trunk Lines  
 GT 5  
 GT 13  
 GT 16  
 PO5G  
 GT 11  
 GT 14  
 GT 17  
 GT 19  
 GT 3  
 GT 6W  
 GT 7  
 GT 10  
 GT 18W  
 GT 15  
 GT 8  
 GT 9  
 GT 25

## 8-Conductor Right-angle Connectors

By using each of the two differently keyed types of housing for different purposes, incorrect insertion can be prevented.



The product comprises 6 parts.  
 (Housing, insulator, outer terminal, shield plate, retainer, and center terminal)

● Housing

Part Number	CL No.	Material / Finish or Color	Packaging	RoHS
GT17-8DS-HU	767-0003-4	PBT / Light Gray	1	YES
GT17A-8DS-HU	767-0004-7	PBT / Black	1	

● Insulator

Part Number	CL No.	Material / Finish or Color	Packaging	RoHS
GT17-8DS-2C	767-0005-0	PBT / Dark Gray	1	YES

● Outer terminal

Part Number	CL No.	Material / Finish or Color	Packaging	Remarks	RoHS
GT17-8DS-7CF(70)	767-0007-5-70	Phosphor bronze / Tin plating	1	Conductor Size 6.8 to 7.2mm	YES

● Shield plate

Part Number	CL No.	Material / Finish or Color	Packaging	RoHS
GT17-8DS-SC(70)	767-0006-2-70	Copper alloy / Tin plating	1	YES

● Retainer

Part Number	CL No.	Material / Finish or Color	Packaging	RoHS
GT17-8DS-R	767-0008-8	PBT / Dark Gray	1	YES

● Center terminal

Used with 6,8, and 10 conductor cable

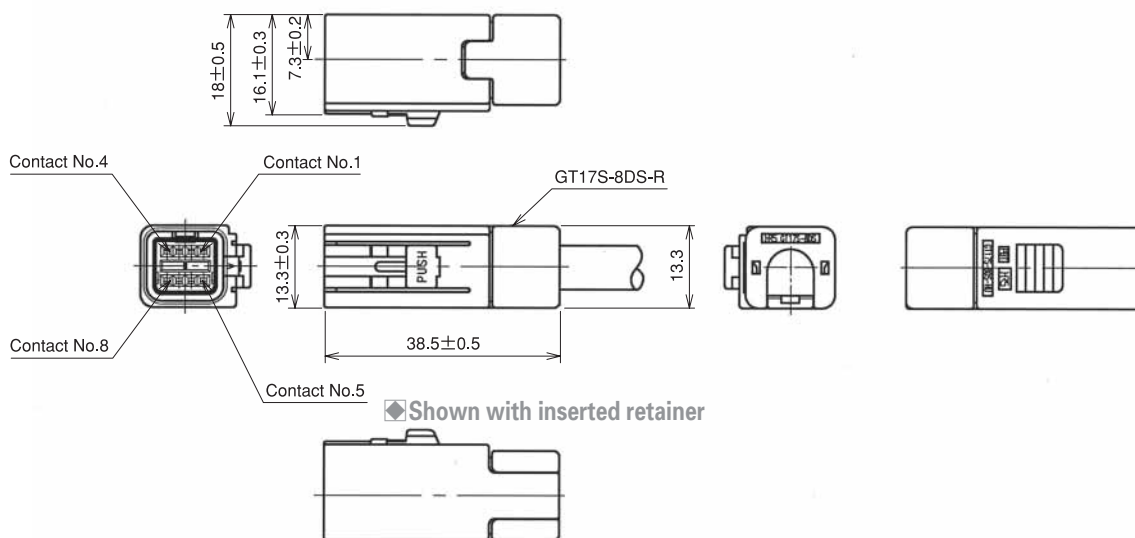
◆ Mating Table

Color	Cable side connector	Board connector
Gray	GT17-8DS-HU	GT17V-8DP-DS(Cable exit direction, up side from mounting side)
		GT17VB-8DP-DS(Cable exit direction, down side from mounting side)
Black	GT17A-8DS-HU	GT17VA-8DP-DS(Cable exit direction, up side from mounting side)
		GT17VC-8DP-DS(Cable exit direction, down side from mounting side)



## 8-Conductor Straight Connectors

◆ By using each of the two differently keyed types of housing for different purposes, incorrect insertion can be prevented.



◆ The product comprises 6 parts.

(Housing, insulator, outer terminal, shield plate, retainer, and center terminal)

● Housing

Part Number	CL No.	Material / Finish or Color	Packaging	RoHS
GT17S-8DS-HU	767-0108-2	PBT / Light Gray	1	YES
GT17SA-8DS-HU	767-0109-5	PBT / Black	1	

● Insulator

Part Number	CL No.	Material / Finish or Color	Packaging	RoHS
GT17-8DS-2C	767-0005-0	PBT / Dark Gray	1	YES

● Outer terminal

Part Number	CL No.	Material / Finish or Color	Packaging	Remarks	RoHS
GT17S-8DS-7CF	767-0106-7	Copper alloy / Tin plating	1	Conductor Size 6.8 to 7.2mm	YES

● Shield plate

Part Number	CL No.	Material / Finish or Color	Packaging	RoHS
GT17S-8DS-SC	767-0107-0	Copper alloy / Tin plating	1	YES

● Retainer

Part Number	CL No.	Material / Finish or Color	Packaging	RoHS
GT17S-8DS-R	767-0110-4	PBT / Dark Gray	1	YES

● Center terminal

Used with 6, 8, and 10 conductor cable

◆ Mating Table

Color	Cable side connector	Board connector
Gray	GT17S-8DS-HU	GT17V-8DP-DS(Cable exit direction, up side from mounting side)
		GT17VB-8DP-DS(Cable exit direction, down side from mounting side)
Black	GT17SA-8DS-HU	GT17VA-8DP-DS(Cable exit direction, up side from mounting side)
		GT17VC-8DP-DS(Cable exit direction, down side from mounting side)

Coaxial cable connection of Antennas, Sensors, and Communication Trunk Lines  
 GT 5  
 GT 13  
 GT 16  
 PO5G  
 GT 11  
 GT 14  
 GT 17  
 GT 19  
 GT 3  
 GT 6W  
 GT 7  
 GT 10  
 GT 18W  
 GT 15  
 GT 8  
 GT 9  
 GT 25

GT17 Series

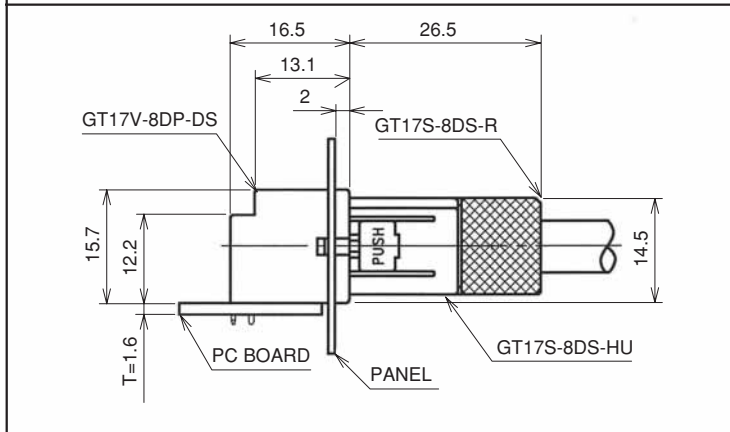
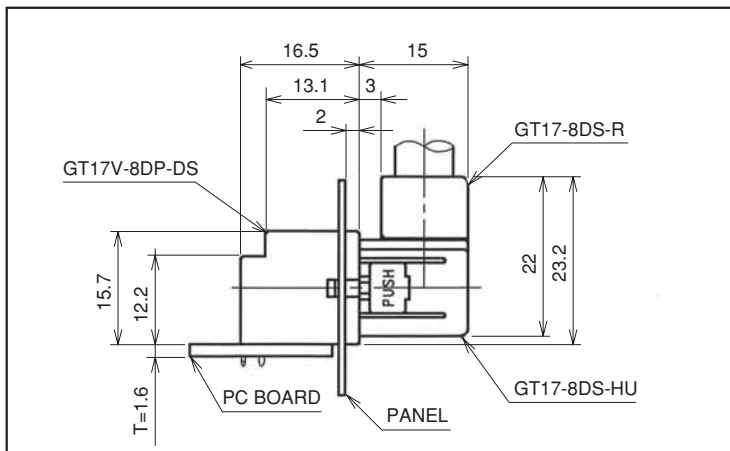
## 8-Conductor Printed Circuit Board Connectors

● Cable extraction facing up

Part Number	CL No.	Material / Finish or Color	Packaging	RoHS
GT17V-8DP-DS	767-0139-6	Housing: PBT/Light gray Center terminal: Brass /Tin plating Outer terminal: Copper alloy /Tin plating	1	YES



**GT17V-8DP-DS**



● Cable extraction facing down

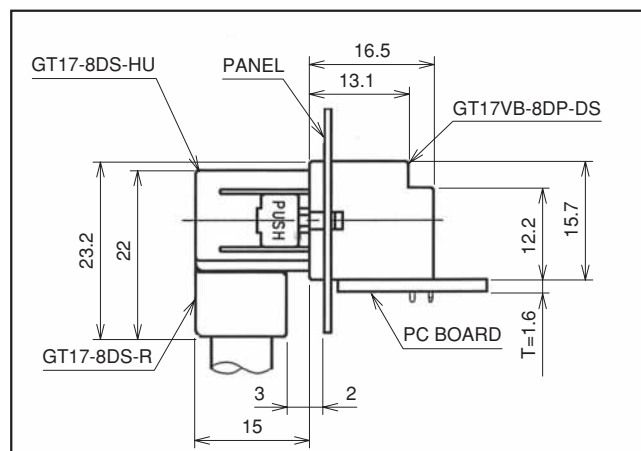
Part Number	CL No.	Material / Finish or Color	Packaging	RoHS
GT17VB-8DP-DS	767-0185-3	Housing: PBT/Light gray Center terminal: Brass /Tin plating Outer terminal: Copper alloy /Tin plating	1	YES
GT17VB-8DP-DS-SB	767-0123-6	Housing: PBT/Light gray Center terminal/Shield case: Brass /Tin plating Outer terminal: Copper alloy /Tin plating	1	



**GT17VB-8DP-DS**



**GT17VB-8DP-DS-SB**



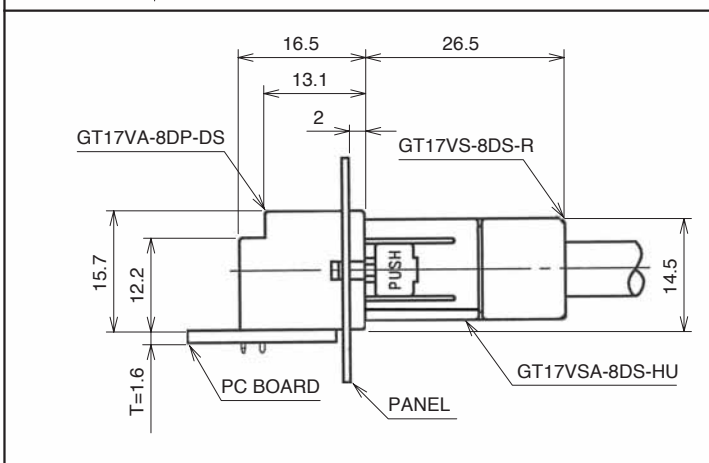
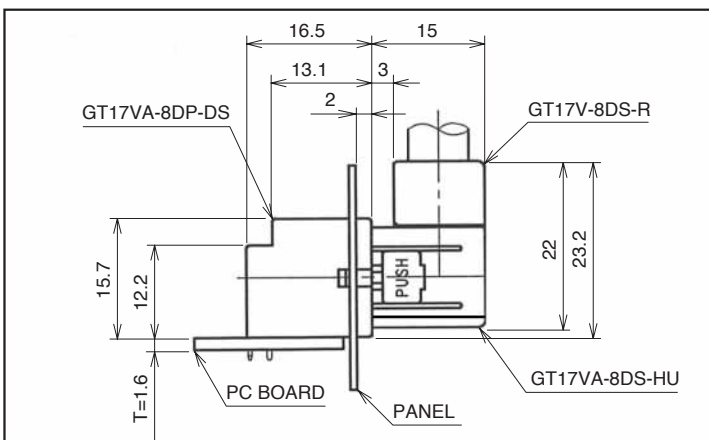
## 8-Conductor Printed Circuit Board Connectors

● Cable extraction facing up

Part Number	CL No.	Material / Finish or Color	Packaging	RoHS
GT17VA-8DP-DS	767-0200-5	Housing: PBT/Black Center terminal: Brass /Tin plating Outer terminal: Copper alloy /Tin plating	1	YES



**GT17VA-8DP-DS**

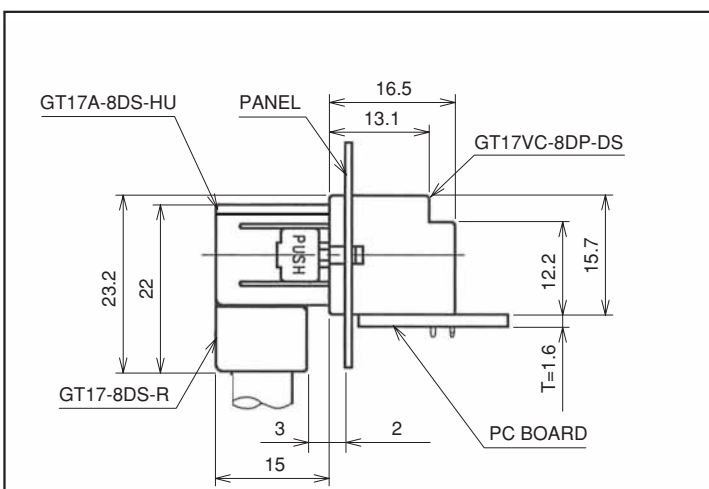


● Cable extraction facing down

Part Number	CL No.	Material / Finish or Color	Packaging	RoHS
GT17VC-8DP-DS	767-0199-8	Housing: PBT/Black Center terminal: Brass /Tin plating Outer terminal: Copper alloy /Tin plating	1	YES
GT17VC-8DP-DS-SB	767-0124-9	Housing: PBT//Black Center terminal/Shield case: Brass /Tin plating Outer terminal: Copper alloy /Tin plating	1	



**GT17VC-8DP-DS**



Coaxial cable connection of Antennas, Sensors, and Communication Trunk Lines

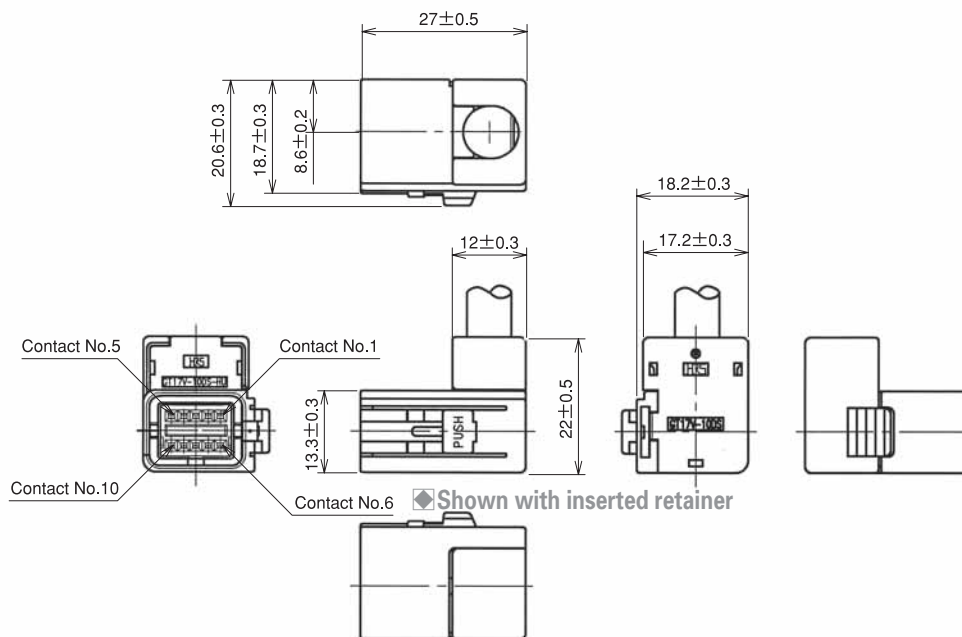
GT 5  
GT 13  
GT 16  
PO5G  
GT 11  
GT 14  
GT 17  
GT 19  
GT 3  
GT 6W  
GT 7  
GT 10  
GT 18W  
GT 15  
GT 8  
GT 9  
GT 25

GT17 Series

Coaxial cable connection of Antennas, Sensors, and Communication Trunk Lines  
 GT 5  
 GT 13  
 GT 16  
 PO5G  
 GT 11  
 GT 14  
 GT 17  
 GT 19  
 GT 3  
 GT 6W  
 GT 7  
 GT 10  
 GT 18W  
 GT 15  
 GT 8  
 GT 9  
 GT 25

## 10-Conductor Right-angle Connectors

By using each of the two differently keyed types of housing for different purposes, incorrect insertion can be prevented.



The product comprises 6 parts.

(Housing, insulator, outer terminal, shield plate, retainer, and center terminal)

● Housing

Part Number	CL No.	Material / Finish or Color	Packaging	RoHS
GT17V-10DS-HU	767-0039-1	PBT / Light Gray	1	YES
GT17VA-10DS-HU	767-0040-0	PBT / Black	1	

● Insulator

Part Number	CL No.	Material / Finish or Color	Packaging	RoHS
GT17V-10DS-2C	767-0036-3	PBT / Dark Gray	1	YES

● Outer terminal

Part Number	CL No.	Material / Finish or Color	Packaging	Remarks	RoHS
GT17V-10DS-8CF	767-0037-6	Copper alloy / Tin plating	1	Conductor Size 7.5 to 8.0mm	YES

● Shield plate

Part Number	CL No.	Material / Finish or Color	Packaging	RoHS
GT17V-10DS-SC	767-0038-9	Copper alloy / Tin plating	1	YES

● Retainer

Part Number	CL No.	Material / Finish or Color	Packaging	RoHS
GT17V-10DS-R	767-0041-3	PBT / Dark Gray	1	YES

● Center terminal

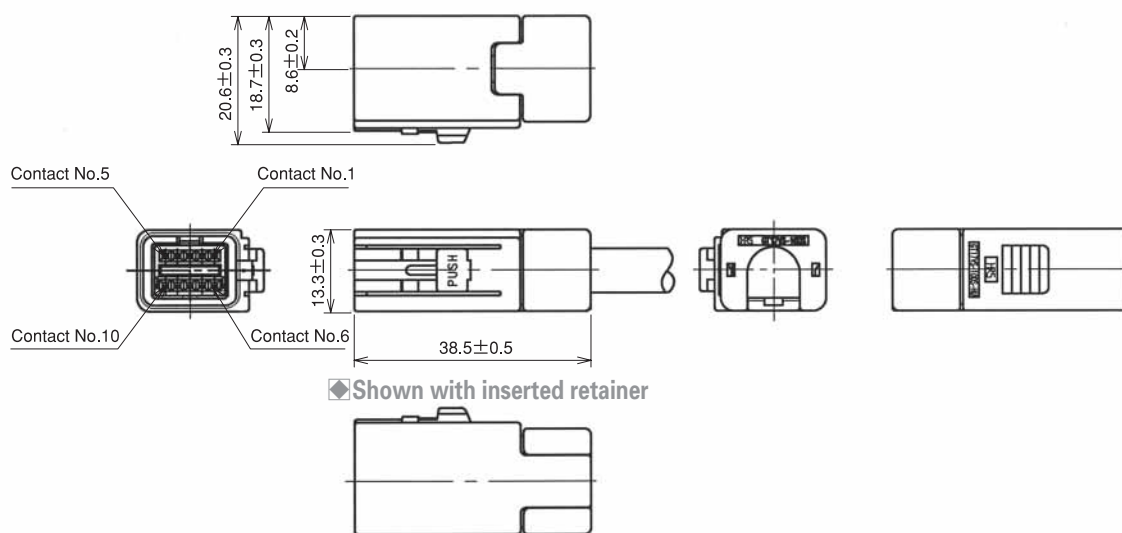
Used with 6,8, and 10 conductor cable

◆ Mating Table

Color	Cable side connector	Board connector
Gray	GT17V-10DS-HU	GT17V-10DP-DS(70)(Cable exit direction, up side from mounting side)
		GT17V-10DP-DSA(70)(straight DIP type)
		GT17V-10DP-DS-SB(70)(Cable exit direction, up side from mounting side)
Black	GT17VA-10DS-HU	GT17VA-10DP-DS(70)(Cable exit direction, up side from mounting side)
		GT17VA-10DP-DSA(70)(straight DIP type)
		GT17VA-10DP-DS-SB(70)(Cable exit direction, up side from mounting side)

## 10-Conductor Straight Connectors

◆ By using each of the two differently keyed types of housing for different purposes, incorrect insertion can be prevented.



◆ The product comprises 6 parts.

(Housing, insulator, outer terminal, shield plate, retainer, and center terminal)

● Housing

Part Number	CL No.	Material / Finish or Color	Packaging	RoHS
GT17VS-10DS-HU	767-0061-0	PBT / Light Gray	1	YES
GT17VSA-10DS-HU	767-0062-3	PBT / Black	1	

● Insulator

Part Number	CL No.	Material / Finish or Color	Packaging	RoHS
GT17V-10DS-2C	767-0036-3	PBT / Dark Gray	1	YES

● Outer terminal

Part Number	CL No.	Material / Finish or Color	Packaging	Remarks	RoHS
GT17VS-10DS-8CF	767-0059-9	Copper alloy / Tin plating	1	Conductor Size 7.5 to 8.0mm	YES

● Shield plate

Part Number	CL No.	Material / Finish or Color	Packaging	RoHS
GT17VS-10DS-SC	767-0060-8	Copper alloy / Tin plating	1	YES

● Retainer

Part Number	CL No.	Material / Finish or Color	Packaging	RoHS
GT17VS-10DS-R	767-0063-6	PBT / Dark Gray	1	YES

● Center terminal

Used with 6, 8, and 10 conductor cable

◆ Mating Table

Color	Cable side connector	Board connector
Gray	GT17VS-10DS-HU	GT17V-10DP-DS(70)
		GT17V-10DP-DSA(70)
		GT17V-10DP-DS-SB(70)
Black	GT17VSA-10DS-HU	GT17VA-10DP-DS(70)
		GT17VA-10DP-DSA(70)
		GT17VA-10DP-DS-SB(70)

Coaxial cable connection of Antennas, Sensors, and Communication Trunk Lines

GT 5  
GT 13  
GT 16  
PO5G  
GT 11  
GT 14  
**GT 17**  
GT 19  
GT 3  
GT 6W  
GT 7  
GT 10  
GT 18W  
GT 15  
GT 8  
GT 9  
GT 25

GT17 Series

Coaxial cable connection of Antennas, Sensors, and Communication Trunk Lines  
 GT 5  
 GT 13  
 GT 16  
 PO5G  
 GT 11  
 GT 14  
 GT 17  
 GT 19  
 GT 3  
 GT 6W  
 GT 7  
 GT 10  
 GT 18W  
 GT 15  
 GT 8  
 GT 9  
 GT 25

## 10-Conductor Printed Circuit Board Connectors

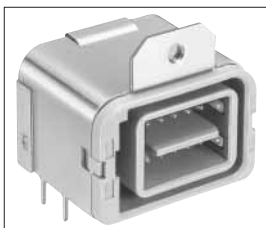
By using each of the two differently keyed types of housing for different purposes, incorrect insertion can be prevented.

● Right-angle type

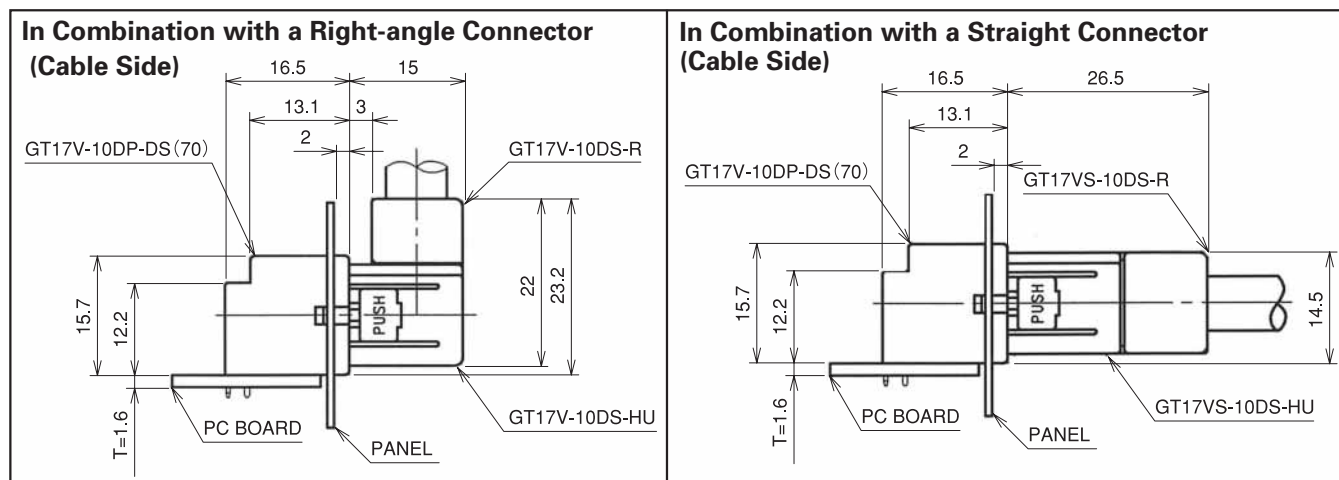
Part Number	CL No.	Material / Finish or Color	Packaging	Note	RoHS
GT17V-10DP-DS(70)	767-0034-8-70	Housing: PBT/Light gray Center terminal: Brass /Tin plating Outer tube terminal: Copper alloy /Tin plating	1	Products with enhanced shielding	YES
GT17V-10DP-DS-SB(70)	767-0069-2-70	Housing: PBT/Light gray Center terminal/Shield case: Brass /Tin plating Outer tube terminal: Copper alloy /Tin plating	1		



GT17V-10DP-DS(70)

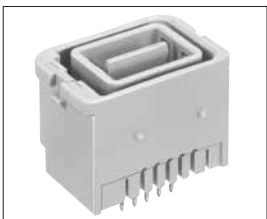


GT17V-10DP-DS-SB(70)



● Straight-type

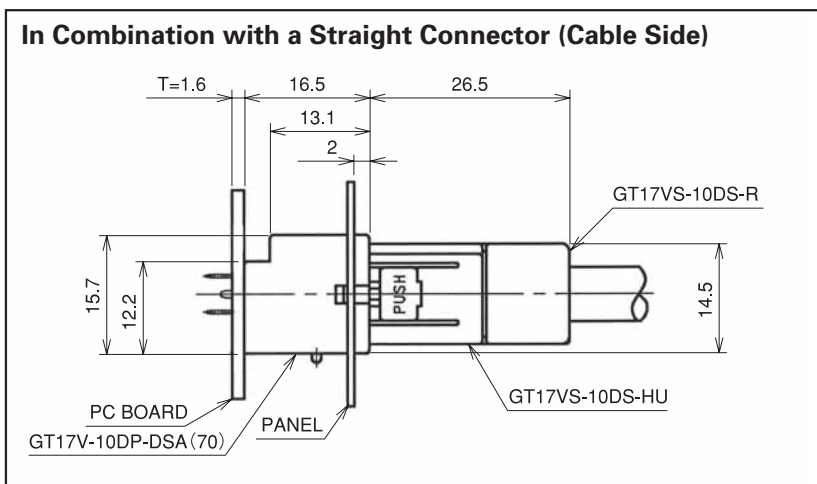
Part Number	CL No.	Material / Finish or Color	Packaging	RoHS
GT17V-10DP-DSA(70)	767-0067-7-70	Housing: PBT/Black Center terminal: Brass /Tin plating Outer terminal: Copper alloy /Tin plating	1	YES
GT17V-10DP-DSA-SB	767-0154-0	Housing: PBT/Black Center terminal: Brass /Tin plating Outer terminal: Copper alloy /Tin plating	1	



GT17V-10DP-DSA(70)



GT17V-10DP-DSA-SB



## 10-Conductor Printed Circuit Board Connectors

By using each of the two differently keyed types of housing for different purposes, incorrect insertion can be prevented.

● Right-angle type

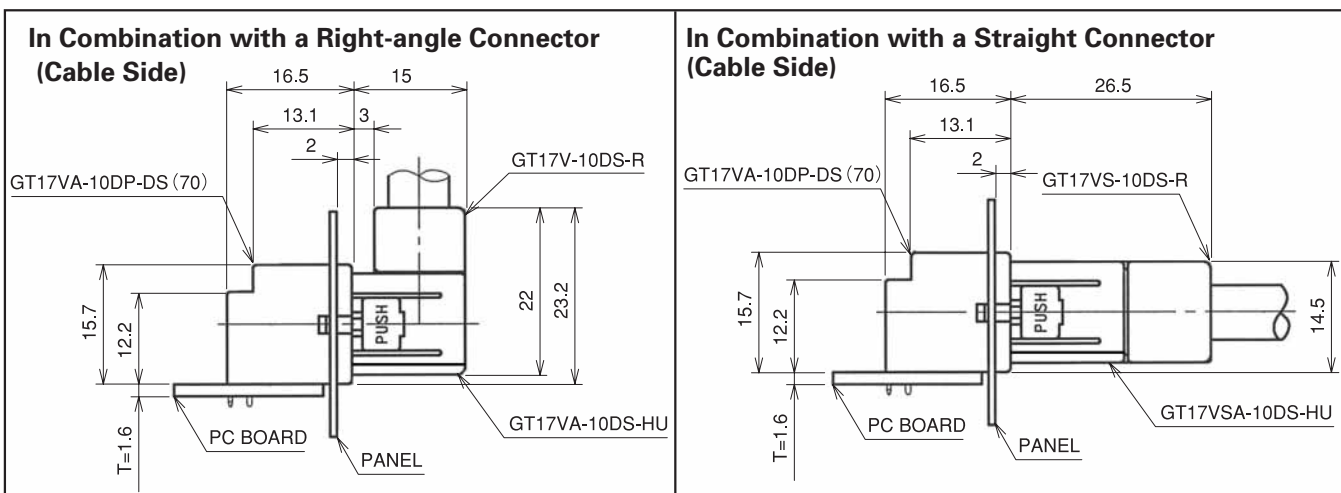
Part Number	CL No.	Material / Finish or Color	Packaging	Note	RoHS
GT17VA-10DP-DS(70)	767-0035-0-70	Housing: PBT/Black Center terminal: Brass /Tin plating Outer terminal: Copper alloy /Tin plating	1	Products with enhanced shielding	YES
GT17VA-10DP-DS-SB(70)	767-0070-1-70	Housing: PBT/Black Center terminal/Shield case: Brass /Tin plating Outer terminal: Copper alloy /Tin plating	1		



GT17VA-10DP-DS(70)

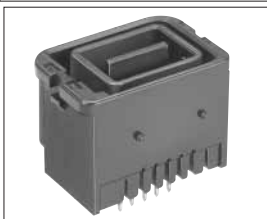


GT17VA-10DP-DS-SB(70)



● Straight-type

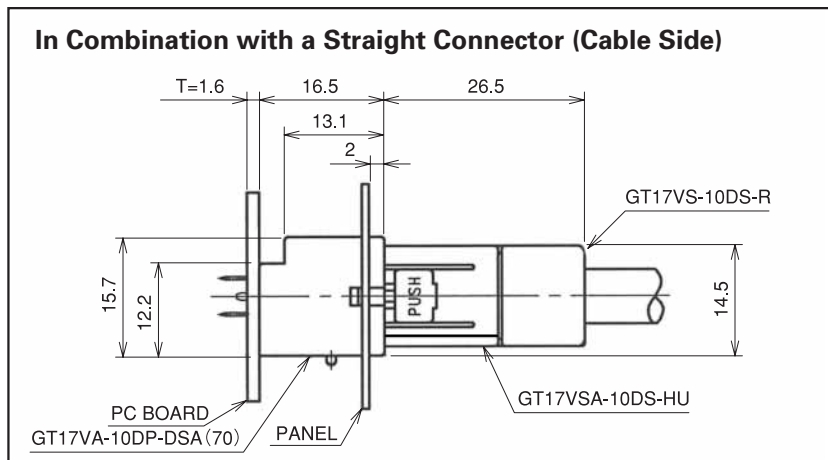
Part Number	CL No.	Material / Finish or Color	Packaging	RoHS
GT17V-10DP-DSA(70)	767-0068-0-70	Housing: PBT/Black Center terminal: Brass /Tin plating Outer terminal: Copper alloy /Tin plating	1	YES
GT17V-10DP-DSA-SB	767-0174-7	Housing: PBT/Black Center terminal/Shield case: Brass /Tin plating Outer terminal: Copper alloy /Tin plating	1	



GT17VA-10DP-DSA(70)



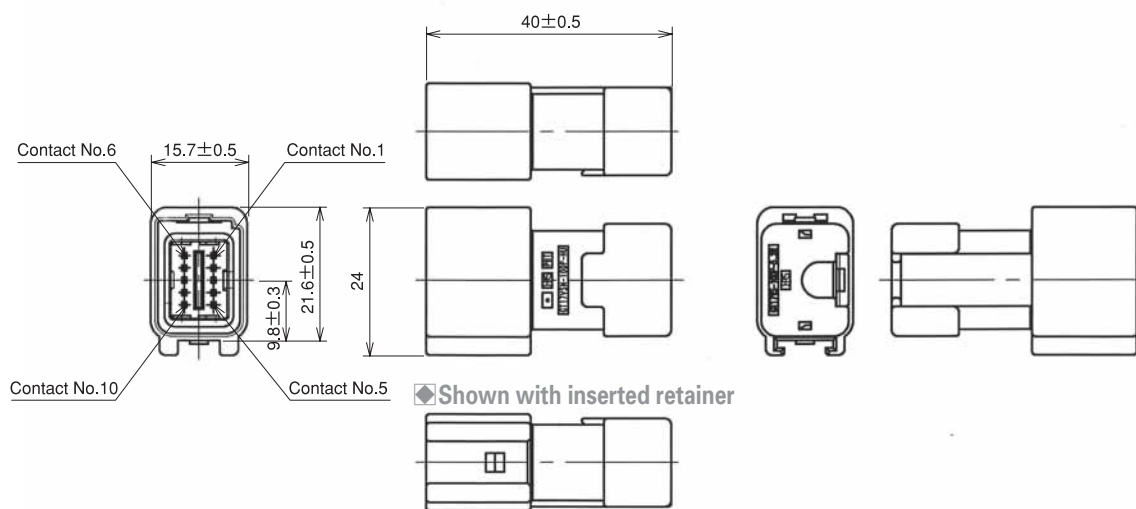
GT17VA-10DP-DSA-SB



GT17 Series

Coaxial cable connection of Antennas, Sensors, and Communication Trunk Lines  
 GT 5  
 GT 13  
 GT 16  
 PO5G  
 GT 11  
 GT 14  
 GT 17  
 GT 19  
 GT 3  
 GT 6W  
 GT 7  
 GT 10  
 GT 18W  
 GT 15  
 GT 8  
 GT 9  
 GT 25

## 10-Conductor Inline Connectors



◆ The product comprises 6 parts.

(Housing, insulator case, outer terminal, shield plate, retainer, and center terminal)

● Housing

Part Number	CL No.	Material / Finish or Color	Packaging	RoHS
GT17VSN-10DP-HU	767-0115-8	PBT / Light Gray	1	YES

● Insulator

Part Number	CL No.	Material / Finish or Color	Packaging	RoHS
GT17V-10DP-2C	767-0112-0	PBT / Dark Gray	1	YES

● Outer terminal

Part Number	CL No.	Material / Finish or Color	Packaging	Remarks	RoHS
GT17VS-10DP-5.2CF	767-0114-5	Copper alloy / Tin plating	pack	1224pcs per pack	YES
GT17VS-10DP-8CF	767-0130-1	Copper alloy / Tin plating	pack	1224pcs per pack	

● Shield plate

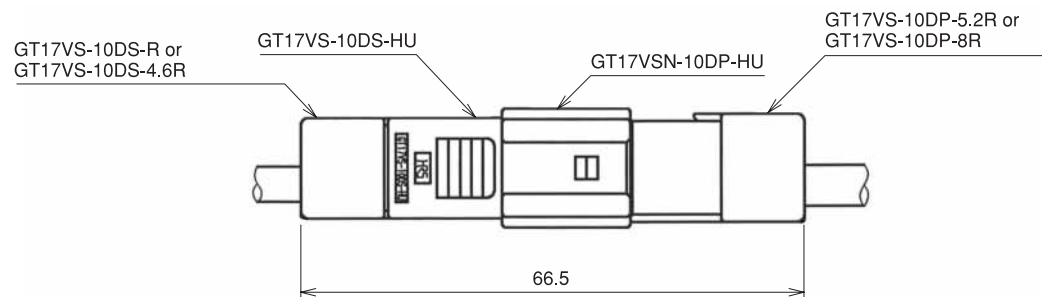
Part Number	CL No.	Material / Finish or Color	Packaging	RoHS
GT17VS-10DP-SC	767-0113-2	Copper alloy / Tin plating	1	YES

● Retainer

Part Number	CL No.	Material / Finish or Color	Packaging	RoHS
GT17VS-10DP-5.2R	767-0111-7	PBT / Light Gray	1	YES
GT17VS-10DP-8R	767-0131-4	PBT / Light Gray	1	

● Center terminal

Used with 6,8, and 10 conductor cable

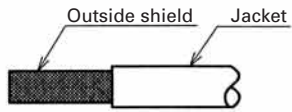


◆ Fully mated connector assemblies

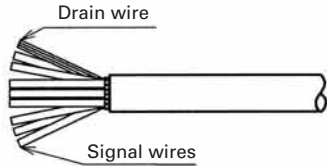


◆ Wiring Method

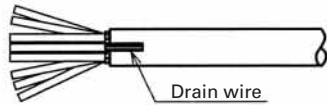
① Strip the Jacket.



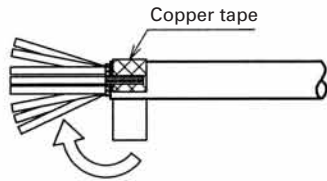
② Cut the shield and intermediate material to expose the wire and braid.



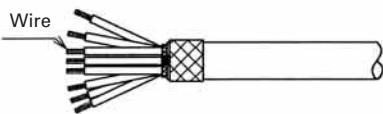
③ Bend back the drain wire over the Jacket.



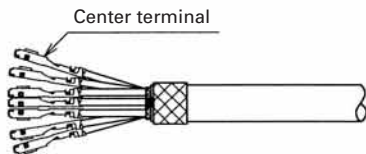
④ Wrap with copper tape.



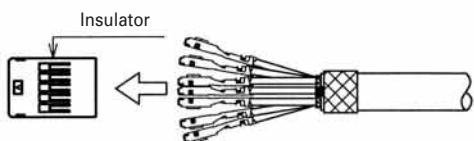
⑤ Strip the wire leads.



⑥ Crimp the center terminals.

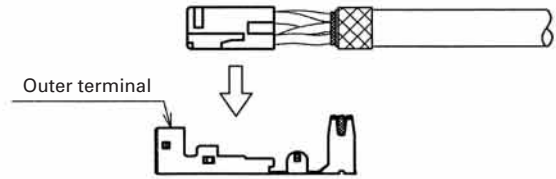


⑦ Insert the center terminals into the insulator.

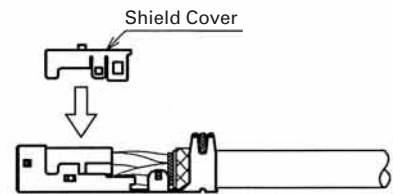


GT17V-10DS-HU Harness Finish

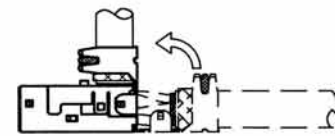
⑧ Insert the insulator into the Outer terminal.



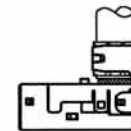
⑨ Insert the Shield Cover.



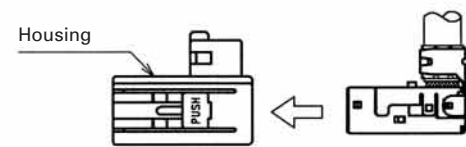
⑩ Fold back the Outer terminal.



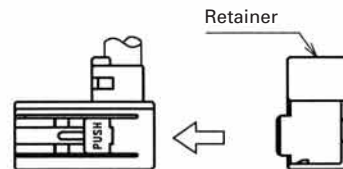
⑪ Crimp the Outer terminal.



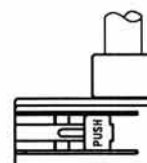
⑫ Insert the Outer terminal into the housing.



⑬ Insert the retainer.

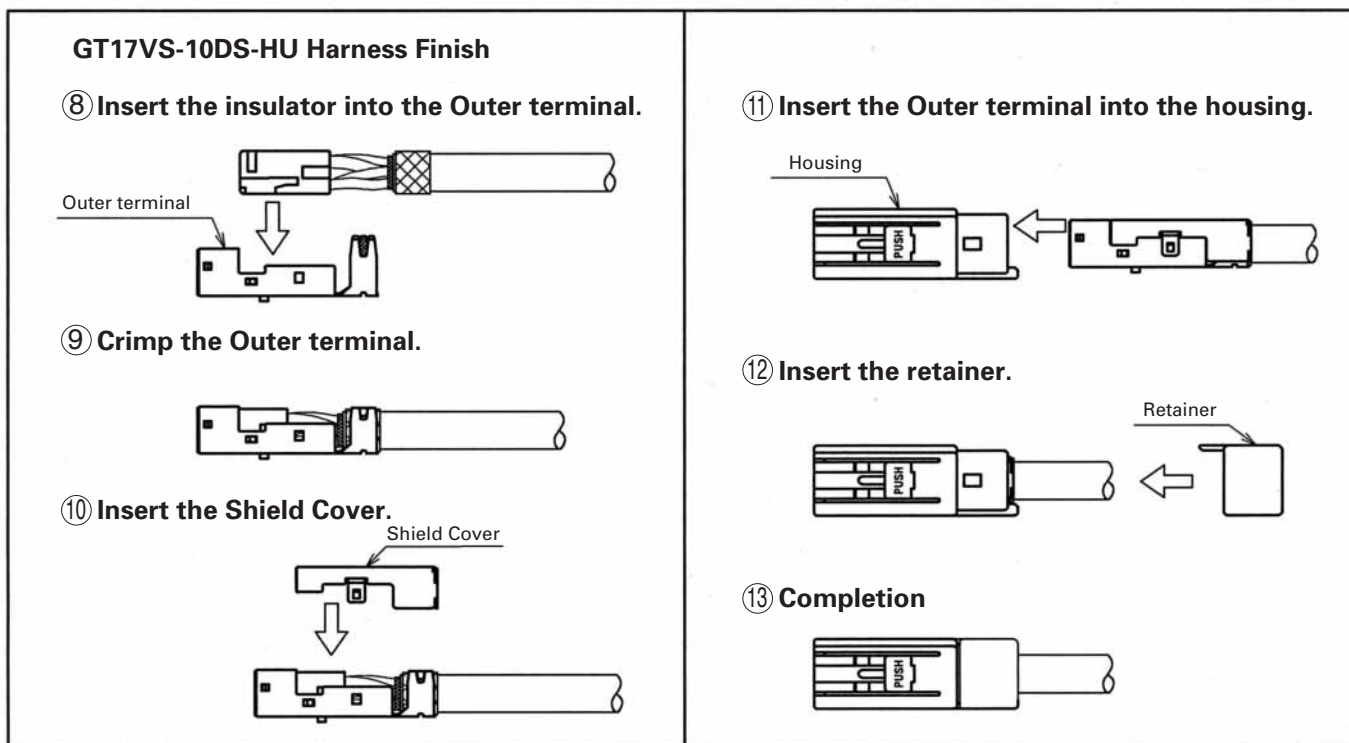


⑭ Completion



GT17 Series

Coaxial cable connection of Antennas, Sensors, and Communication Trunk Lines  
 GT 5  
 GT 13  
 GT 16  
 PO5G  
 GT 11  
 GT 14  
 GT 17  
 GT 19  
 GT 3  
 GT 6W  
 GT 7  
 GT 10  
 GT 18W  
 GT 15  
 GT 8  
 GT 9  
 GT 25



◆ Termination Tools

User's manuals are available. Please ask your Hirose Electric account representative.

Automatic Crimping Machine



Part Number CM-105

Hand Press



◆ Specifications

Item	Specification	Remarks
Specification	1.5ton	
Stroke Length	30mm	
Number of strokes	200spm (50Hz)	240spm (60Hz)
Weight	75kg	
Motor	0.2kW	AC100V
Crimping speed	2000 to 4000 pcs. per hour	

◆ Harness Tools

Product Number	HRS No.	Applicator Product Number
GT17-2022SCF	901-5083-5	AP105-GT17-2022S
GT17-2428SCF	901-5084-8	AP105-GT17-2428S
GT17-30SCF	901-5107-1	AP105-GT17-30S

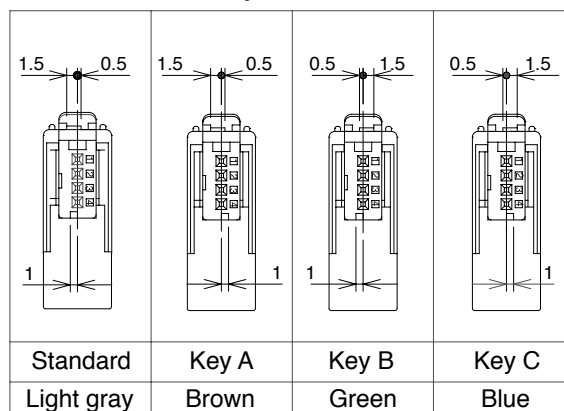
Product Number	HRS No.	Type	Applicator Product Number
GT17H-4S-5CF	767-0087-4	ANGLE	GT17H-4S-5CF/CR-MP
GT17HS-4S-5CF	767-0165-5	STRAIGHT	
GT17V-6DS-3.8CF	767-0075-5	ANGLE	GT17V-6DS-3.8/CR-MP
GT17V-6DS-5CF	767-0027-2	ANGLE	GT17VS-6DS-5/CR-MP
GT17VS-6DS-5CF	767-0050-4	STRAIGHT	
GT17VS-6DP-5CF	767-0080-5	STRAIGHT	GT17VS-6DP-5/CR-MP
GT17-8DS-7CF	767-0007-5	ANGLE	GT17S-8DS-7CR-MP
GT17S-8DS-7CF	767-0106-7	STRAIGHT	
GT17V-10DS-8CF	767-0037-6	ANGLE	GT17V-10DS/CR-MP
GT17VS-10DS-8CF	767-0059-9	STRAIGHT	
GT17VS-10DS-4.6CF	767-0116-0	STRAIGHT	GT17VS-10DS-4.6/CR-MP
GT17VS-10DP-5.2CF	767-0114-5	STRAIGHT	GT17VS-10DP-5.2/CR-MP

\* Concerning the crimp height of terminals, crimp height settings have been prepared for each type of cable. Please contact a Hirose Electric account representative for further information.  
 Please note that new crimp height settings will be made for new cables and that this might take several days.

## 4-Conductor Right-angle Connectors



Key variation



◆ The product comprises 5 parts.  
 (Housing, insulator, outer terminal, retainer, center terminal)

● Housing

Part Number	CL No.	Material / Finish or Color	Packaging	RoHS
GT17H-4S-HU	767-0085-9	PBT / Dark Gray	1	YES

● Insulator

Part Number	CL No.	Material / Finish or Color	Packaging	RoHS
GT17H-4S-2C	767-0084-6	PBT / Light Gray	1	YES
GT17H-4S-2C(A)	767-0167-1	PBT / Brown	1	
GT17H-4S-2C(B)	767-0168-4	PBT / Green	1	
GT17H-4S-2C(C)	767-0169-7	PBT /Blue	1	

● Outer terminal

Part Number	CL No.	Material / Finish or Color	Packaging	RoHS
GT17H-4S-5CF	767-0027-2	Copper alloy / Tin plating	1	YES

● Retainer

Part Number	CL No.	Material / Finish or Color	Packaging	RoHS
GT17H-4S-R	767-0086-1	PBT / Dark Gray	1	YES

● Center terminal

Part Number	CL No.	Material / Finish or Color	Conductor Size(AWG)	Remarks	RoHS
GT8-2428SCF(70)	758-0001-8-70	Phosphor Bronze / Tin plating	#24 to 28	10,000 pcs per reel	YES

◆ Mating Table

Color	Cable side connector	Board connector		
		SMT Type	DIP Type	
			Angle Type	Straight Type
Gray	GT17H-4S-ASSY	GT17H-4P-2H	GT17H-4P-2DS	GT17H-4P-2DSA
Brown	GT17H-4S-ASSY(Key TypeA)	GT17H-4P-2H(A)	GT17H-4P-2DS(A)	GT17H-4P-2DSA(A)
Green	GT17H-4S-ASSY(Key TypeB)	GT17H-4P-2H(B)	GT17H-4P-2DS(B)	GT17H-4P-2DSA(B)
Blue	GT17H-4S-ASSY(Key TypeC)	GT17H-4P-2H(C)	GT17H-4P-2DS(C)	GT17H-4P-2DSA(C)

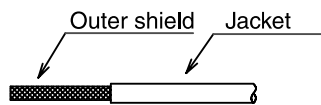
Coaxial cable connection of Antennas, Sensors, and Communication Trunk Lines

GT 5  
GT 13  
GT 16  
PO5G  
GT 11  
GT 14  
GT 17  
GT 19  
GT 3  
GT 6W  
GT 7  
GT 10  
GT 18W  
GT 15  
GT 8  
GT 9  
GT 25

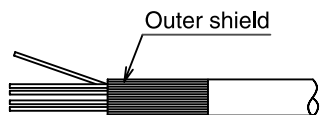
Coaxial cable connection of Antennas, Sensors, and Communication Trunk Lines  
 GT 5  
 GT 13  
 GT 16  
 PO5G  
 GT 11  
 GT 14  
 GT 17  
 GT 19  
 GT 3  
 GT 6W  
 GT 7  
 GT 10  
 GT 18W  
 GT 15  
 GT 8  
 GT 9  
 GT 25

## ◆ Wiring Method (4-Conductor Right-angle Type)

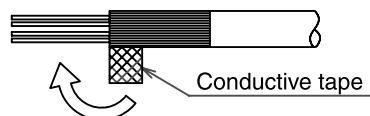
① Strip Jacket.



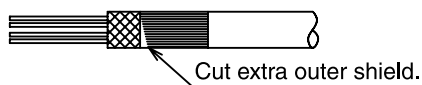
② Turn Outer shield to Backward.



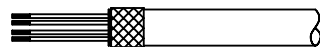
③ Cover the cable by conductive tape.



④ Cut extra outer shield.



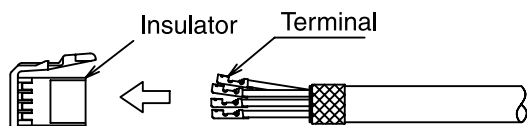
⑤ Strip Jacket.



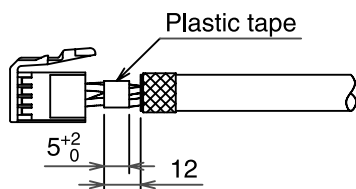
⑥ Crimp the terminal.



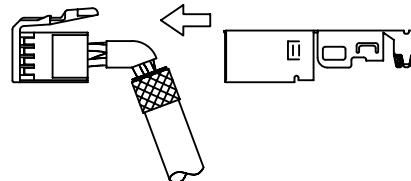
⑦ Insert terminal to the insulator.



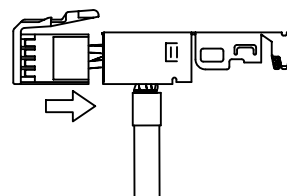
⑧ Cover middle of the cable by plastic tape.



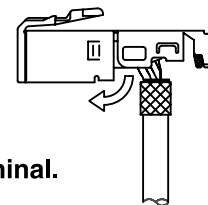
⑨ Insert insulator to the Outer tube terminal.



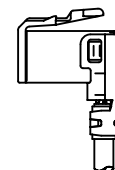
⑩



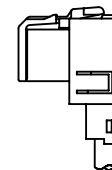
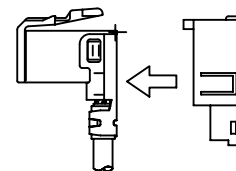
⑪ Bent the outer tube terminal 90.



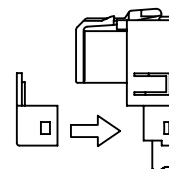
⑫ Crimp the outer tube terminal.



⑬ Insert the assembled outer tube terminal to the housing.



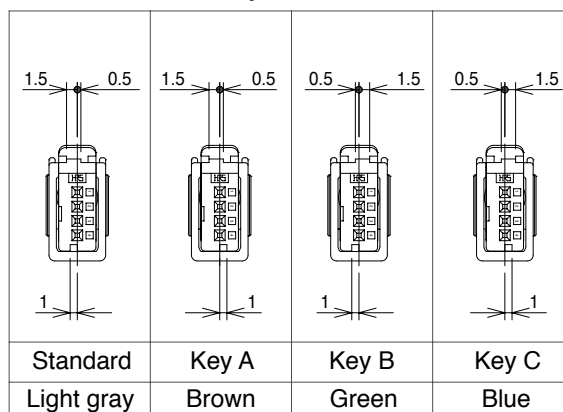
⑭ Set the Retainer.



## 4-Conductor Straight Connectors



Key variation



◆ The product comprises 4 parts.  
 (Housing, insulator, outer terminal, center terminal)

● Housing

Part Number	CL No.	Material / Finish or Color	Packaging	RoHS
GT17HS-4S-HU	767-0133-0	PBT / Dark Gray	1	YES

● Insulator

Part Number	CL No.	Material / Finish or Color	Packaging	RoHS
GT17H-4S-2C	767-0084-6	PBT / Light Gray	1	YES
GT17H-4S-2C(A)	767-0167-1	PBT / Brown	1	
GT17H-4S-2C(B)	767-0168-4	PBT / Green	1	
GT17H-4S-2C(C)	767-0169-7	PBT /Blue	1	

● Outer terminal

Part Number	CL No.	Material / Finish or Color	Packaging	RoHS
GT17HS-4S-5CF	767-0135-5	Copper alloy / Tin plating	1	YES

● Center terminal

Part Number	CL No.	Material / Finish or Color	Conductor Size(AWG)	Remarks	RoHS
GT8-2428SCF(70)	758-0001-8-70	Phosphor Bronze / Tin plating	#24 to 28	10,000 pcs per reel	YES

◆ Mating Table

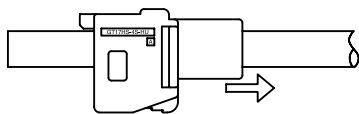
Color	Cable side connector	Board connector		
		SMT Type	DIP Type	
			Angle Type	Straight Type
Gray	GT17H-4S-ASSY	GT17H-4P-2H	GT17H-4P-2DS	GT17H-4P-2DSA
Brown	GT17H-4S-ASSY(Key TypeA)	GT17H-4P-2H(A)	GT17H-4P-2DS(A)	GT17H-4P-2DSA(A)
Green	GT17H-4S-ASSY(Key TypeB)	GT17H-4P-2H(B)	GT17H-4P-2DS(B)	GT17H-4P-2DSA(B)
Blue	GT17H-4S-ASSY(Key TypeC)	GT17H-4P-2H(C)	GT17H-4P-2DS(C)	GT17H-4P-2DSA(C)

Coaxial cable connection of Antennas, Sensors, and Communication Trunk Lines

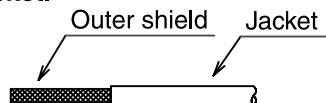
GT 5  
GT 13  
GT 16  
PO5G  
GT 11  
GT 14  
GT 17  
GT 19  
GT 3  
GT 6W  
GT 7  
GT 10  
GT 18W  
GT 15  
GT 8  
GT 9  
GT 25

## ◆ Wiring Method (4-Conductor Straight Type)

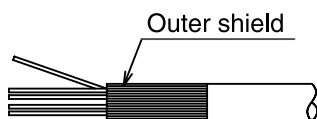
- ① Insert housing to the cable.



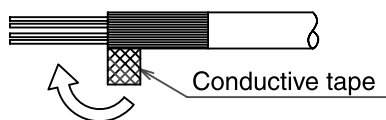
- ② Strip Jacket.



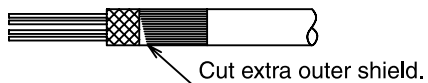
- ③ Turn Outer shield to backward.



- ④ Cover the cable by conductive tape.



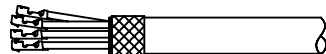
- ⑤ Cut extra outer shield.



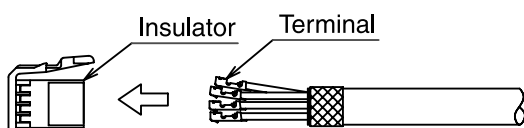
- ⑥ Strip Jacket.



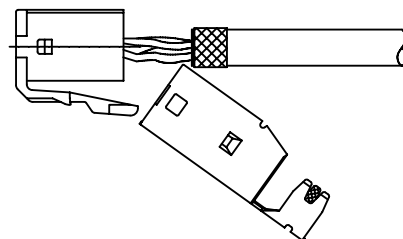
- ⑦ Crimp the terminal.



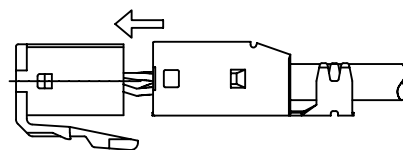
- ⑧ Insert terminal to the Insulator.



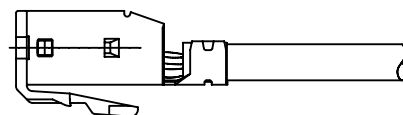
- ⑨ Set outer tube terminal to the insulator.



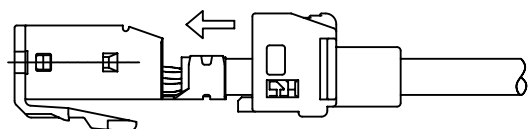
- ⑩ Set outer tube terminal to the insulator.



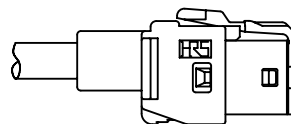
- ⑪ Crimp outertube terminal.



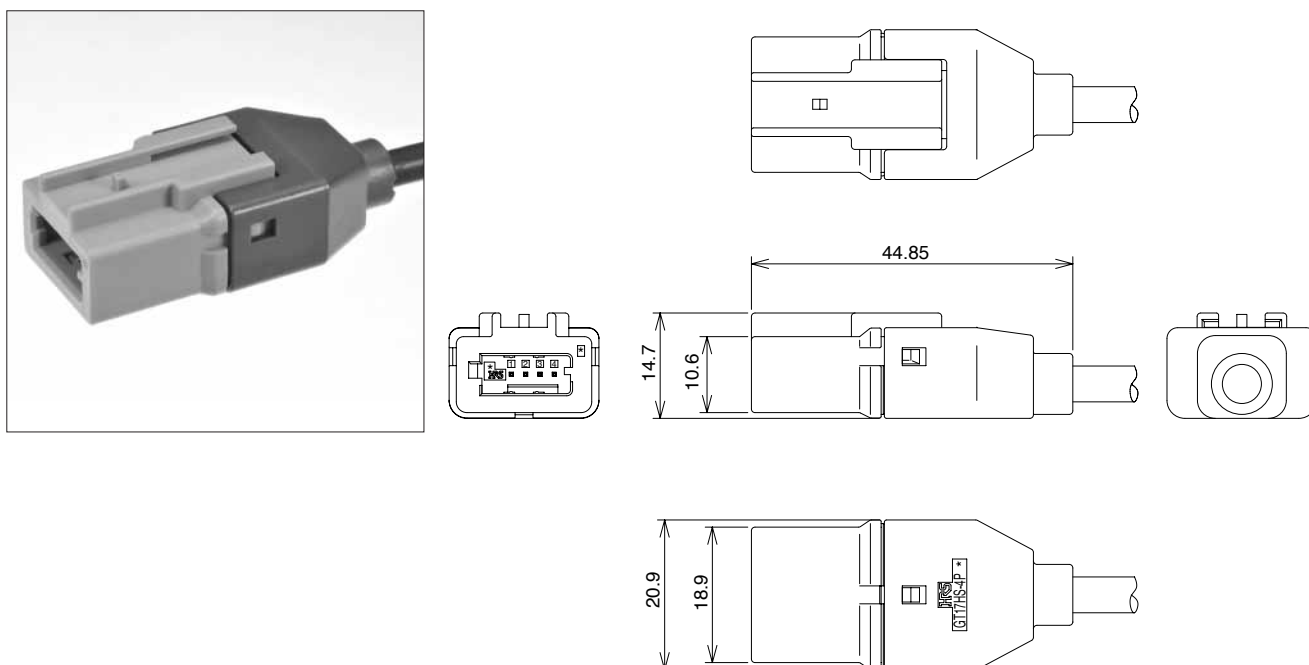
- ⑫ Slide up housing to outer tube terminal.



- ⑬ Finish.



## 4-Conductor Inline Connectors



◆The product comprises 6 parts.

(Housing, insulator, outer terminal, shield plate, retainer, and center terminal)

●Housing

Part Number	CL No.	Material / Finish or Color	Packaging	RoHS
GT17HSP-4P-HU	767-0158-0	PBT / Light Gray	1	YES

●Insulator

Part Number	CL No.	Material / Finish or Color	Packaging	RoHS
GT17HS-4P-2C	767-0155-2	PBT / Light Gray	1	YES

●Outer terminal

Part Number	CL No.	Material / Finish or Color	Packaging	Remarks	RoHS
GT17HS-4P-5CF	767-0156-5	Copper alloy / Tin plating	reel	800pcs per reel	YES

●Shield plate

Part Number	CL No.	Material / Finish or Color	Packaging	RoHS
GT17HS-4P-SC	767-0157-8	Copper alloy / Tin plating	1	YES

●Retainer

Part Number	CL No.	Material / Finish or Color	Packaging	RoHS
GT17HS-4P-R	767-0159-3	PBT / Dark Gray	1	YES

●Center terminal

Part Number	CL No.	Material / Finish or Color	Conductor Size(AWG)	Remarks	RoHS
GT8E-2428PCF	758-0067-6	Phosphor Bronze / Tin plating	#24 to 28	10,000 pcs per reel	YES

Coaxial cable connection of Antennas, Sensors, and Communication Trunk Lines

GT 5

GT 13

GT 16

PO5G

GT 11

GT 14

GT 17

GT 19

GT 3

GT 6W

GT 7

GT 10

GT 18W

GT 15

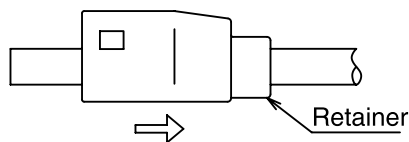
GT 8

GT 9

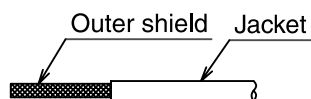
GT 25

## ◆ Wiring Method (4-Conductor Right-angle Type)

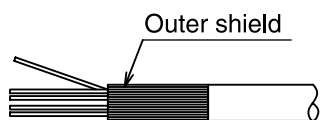
① Insert retainer to the cable.



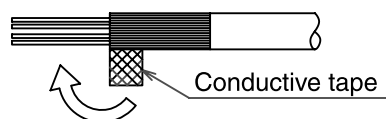
② Strip Jacket.



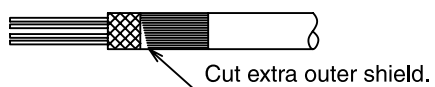
③ Turn Outer shield to backward.



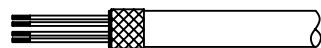
④ Cover the cable by conductive tape.



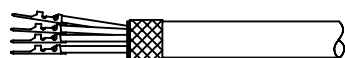
⑤ Cut extra outer shield.



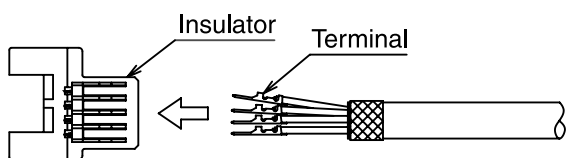
⑥ Strip Jacket.



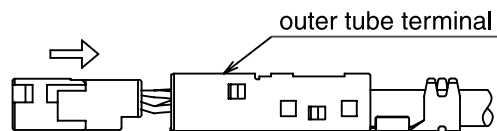
⑦ Crimp the terminal.



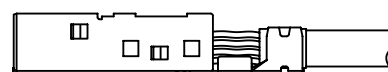
⑧ Insert terminal to the Insulator.



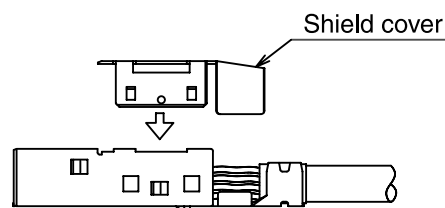
⑨ Set the insulator to the outer tube terminal.



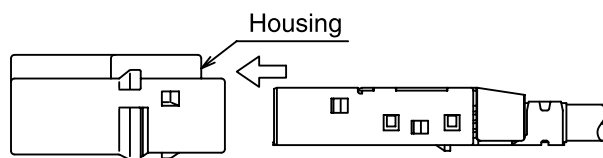
⑩ Crimp the outertube terminal.



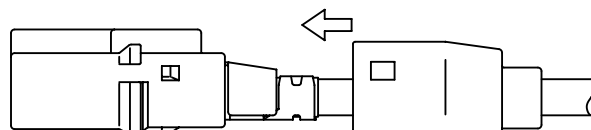
⑪ Set the shield cover to the outer tube terminal.



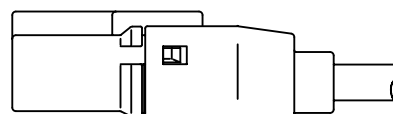
⑫ Insert the outer tube terminal to the housing.



⑬ Slide up the retainer to the housing.



⑭ Finish

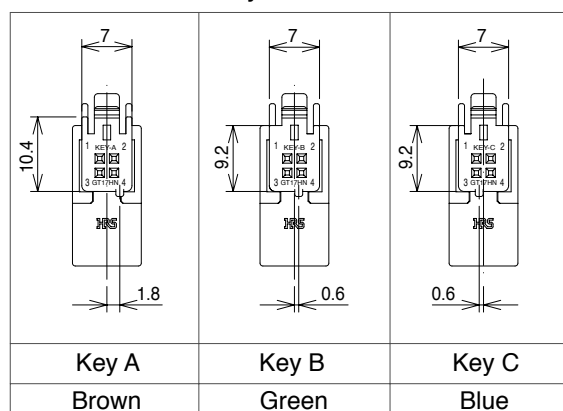




## 4-Conductor Right-angle Connectors



Key variation



### ◆ The product comprises 5 parts.

(Housing, insulator, outer terminal, retainer, center terminal)

#### ● Housing

Part Number	CL No.	Material / Finish or Color	Packaging	RoHS
GT17HN-4DS-HU	767-0141-8	PBT / Dark Gray	1	YES

#### ● Insulator

Part Number	CL No.	Material / Finish or Color	Packaging	RoHS
GT17HN-4DS-2C(A)	767-0140-5	PBT / Brown	1	YES
GT17HN-4DS-2C(B)	767-0147-4	PBT / Green	1	
GT17HN-4DS-2C(C)	767-0148-7	PBT /Blue	1	

#### ● Outer terminal

Part Number	CL No.	Material / Finish or Color	Packaging	RoHS
GT17HN-4DS-5CF	767-0142-0	Copper alloy / Tin plating	1	YES

#### ● Retainer

Part Number	CL No.	Material / Finish or Color	Packaging	RoHS
GT17HN-4DS-R	767-0143-3	PBT / Dark Gray	1	YES

#### ● Center terminal

Part Number	CL No.	Material / Finish or Color	Conductor Size(AWG)	Remarks	RoHS
GT8-2428SCF(70)	758-0001-8-70	Phosphor Bronze / Tin plating	#24 to 28	10,000 pcs per reel	YES

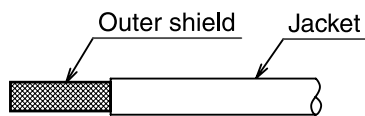
### ◆ Mating Table

Color	Cable side connector	Board connector	
		Angle Type	Straight Type
Brown	GT17HN-4DS-ASSY(Key TypeA)	GT17HN-4DP-2H(A)	GT17HJ-4DP-2DSA
Green	GT17HN-4DS-ASSY(Key TypeB)	GT17HN-4DP-2H(B)	
		GT17HN-4/4DP-2H(BC)	
Blue	GT17HN-4DS-ASSY(Key TypeC)	GT17HN-4DP-2H(C)	
		GT17HN-4/4DP-2H(BC)	

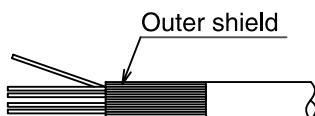
Coaxial cable connection of Antennas, Sensors, and Communication Trunk Lines  
 GT 5  
 GT 13  
 GT 16  
 PO5G  
 GT 11  
 GT 14  
 GT 17  
 GT 19  
 GT 3  
 GT 6W  
 GT 7  
 GT 10  
 GT 18W  
 GT 15  
 GT 8  
 GT 9  
 GT 25

## ◆ Wiring Method (4-Conductor Right-angle Type)

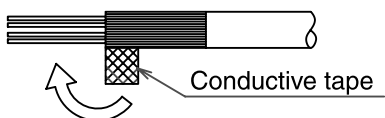
① Strip Jacket.



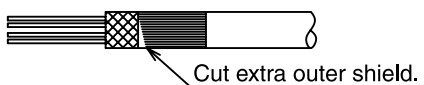
② Turn Outer shield to backward.



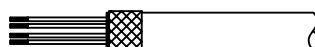
③ Cover the cable by conductive tape.



④ Cut extra outer shield.



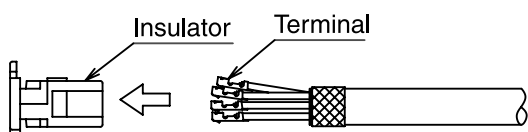
⑤ Strip Jacket.



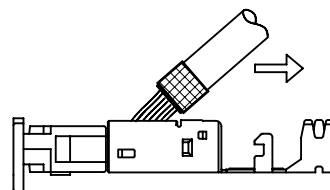
⑥ Crimp the terminal.



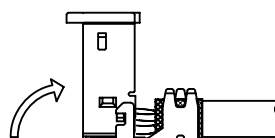
⑦ Insert terminal to the Insulator.



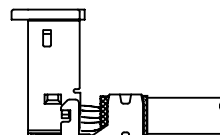
⑧ Insert insulator to the Outer tube terminal.



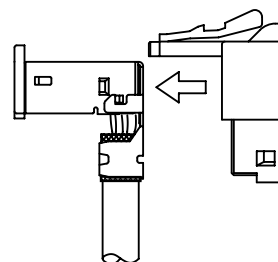
⑨ Bent the outer tube terminal 90.



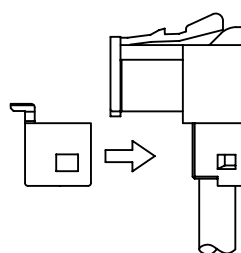
⑩ Crimp the outer tube terminal.



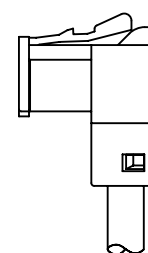
⑪ Insert the assembled outer tube terminal to the housing.



⑫ Set the Retainer.



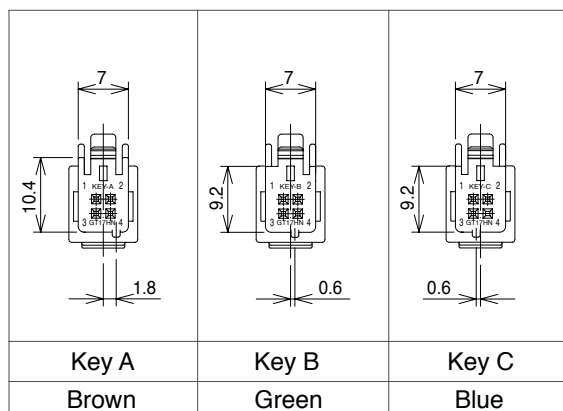
⑬ Finish.



## 4-Conductor Straight Connectors



Key variation



◆ The product comprises 4 parts.  
(Housing, insulator, outer terminal, center terminal)

● Housing

Part Number	CL No.	Material / Finish or Color	Packaging	RoHS
GT17HNS-4DS-HU	767-0150-9	PBT / Dark Gray	1	YES

● Insulator

Part Number	CL No.	Material / Finish or Color	Packaging	RoHS
GT17HN-4DS-2C(A)	767-0140-5	PBT / Brown	1	YES
GT17HN-4DS-2C(B)	767-0147-4	PBT / Green	1	
GT17HN-4DS-2C(C)	767-0148-7	PBT /Blue	1	

● Outer terminal

Part Number	CL No.	Material / Finish or Color	Packaging	RoHS
GT17HNS-4DS-5CF	767-0151-1	Copper alloy / Tin plating	1	YES

● Center terminal

Part Number	CL No.	Material / Finish or Color	Conductor Size(AWG)	Remarks	RoHS
GT8-2428SCF(70)	758-0001-8-70	Phosphor Bronze / Tin plating	#24 to 28	10,000 pcs per reel	YES

◆ Mating Table

Color	Cable side connector	Board connector	
		Angle Type	Straight Type
Brown	GT17HNS-4DS-ASSY(Key TypeA)	GT17HN-4DP-2H(A)	GT17HJ-4DP-2DSA
Green	GT17HNS-4DS-ASSY(Key TypeB)	GT17HN-4DP-2H(B) GT17HN-4/4DP-2H(BC)	/
Blue	GT17HNS-4DS-ASSY(Key TypeC)	GT17HN-4DP-2H(C)	
		GT17HN-4/4DP-2H(BC)	

Coaxial cable connection of Antennas, Sensors, and Communication Trunk Lines

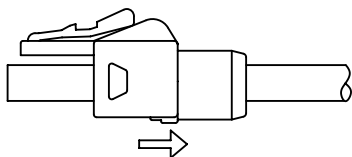
GT 5  
GT 13  
GT 16  
PO5G  
GT 11  
GT 14  
GT 17  
GT 19  
GT 3  
GT 6W  
GT 7  
GT 10  
GT 18W  
GT 15  
GT 8  
GT 9  
GT 25

GT17 Series

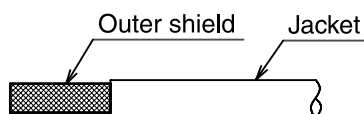
Coaxial cable connection of Antennas, Sensors, and Communication Trunk Lines  
 GT 5  
 GT 13  
 GT 16  
 PO5G  
 GT 11  
 GT 14  
 GT 17  
 GT 19  
 GT 3  
 GT 6W  
 GT 7  
 GT 10  
 GT 18W  
 GT 15  
 GT 8  
 GT 9  
 GT 25

## ◆ Wiring Method (4-Conductor Straight Type)

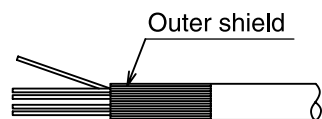
① Insert housing to the cable.



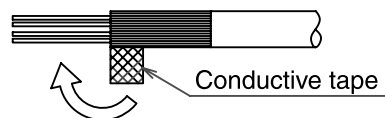
② Strip Jacket.



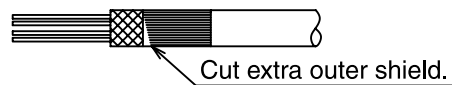
③ Turn Outer shield to backward.



④ Cover the cable by conductive tape.



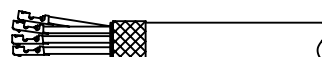
⑤ Cut extra outer shield.



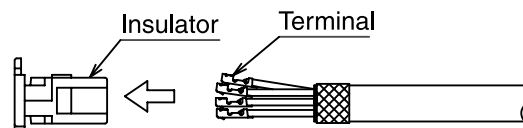
⑥ Strip Jacket.



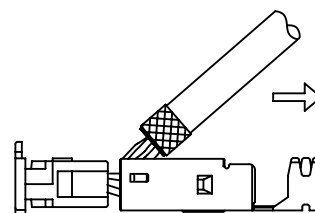
⑦ Crimp the terminal.



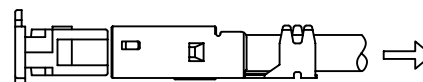
⑧ Insert terminal to the Insulator.



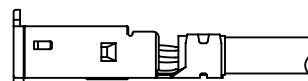
⑨ Set outer tube terminal to the insulator.



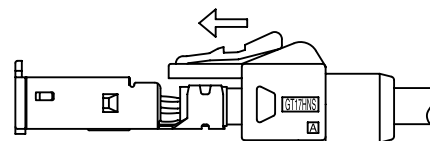
⑩ Set outer tube terminal to the insulator.



⑪ Crimp outertube terminal.



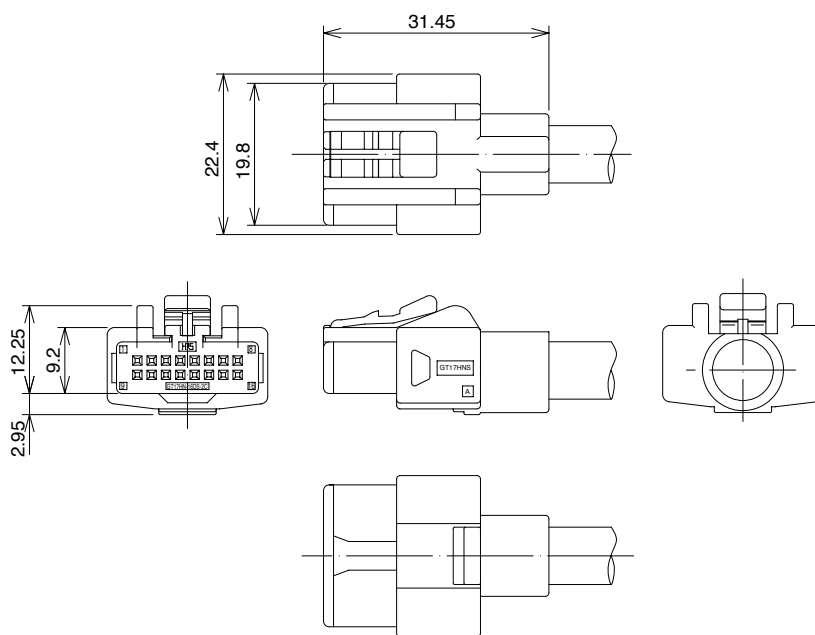
⑫ Slide up housing to outer tube terminal.



⑬ Finish.



## 16-Conductor Straight Connectors



◆ The product comprises 4 parts.  
 (Housing, insulator, outer terminal, and center terminal)

● Housing

Part Number	CL No.	Material / Finish or Color	Packaging	RoHS
GT17HNS-16DS-HU	767-0164-3	PBT / Dark Gray	1	YES

● Insulator

Part Number	CL No.	Material / Finish or Color	Packaging	RoHS
GT17HN-16DS-2C	767-0162-8	PBT / Light Gray	1	YES

● Outer terminal

Part Number	CL No.	Material / Finish or Color	Packaging	RoHS
GT17HNS-16DS-8CF	767-0165-6	Copper alloy / Tin plating	1	YES

● Center terminal

Part Number	CL No.	Material / Finish or Color	Conductor Size(AWG)	Remarks	RoHS
GT8-2428SCF(70)	758-0001-8-70	Phosphor Bronze / Tin plating	#24 to 28	10,000 pcs per reel	YES

◆ Mating Table

Board connector
GT17HN-16DP-2H

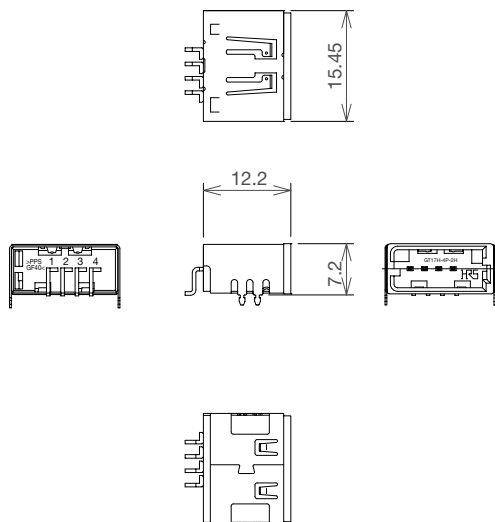
GT17 Series

Coaxial cable connection of Antennas, Sensors, and Communication Trunk Lines  
 GT 5  
 GT 13  
 GT 16  
 PO5G  
 GT 11  
 GT 14  
 GT 17  
 GT 19  
 GT 3  
 GT 6W  
 GT 7  
 GT 10  
 GT 18W  
 GT 15  
 GT 8  
 GT 9  
 GT 25

### 4-Conductor SMT Connector(Right side key)



GT17H-4P-2H



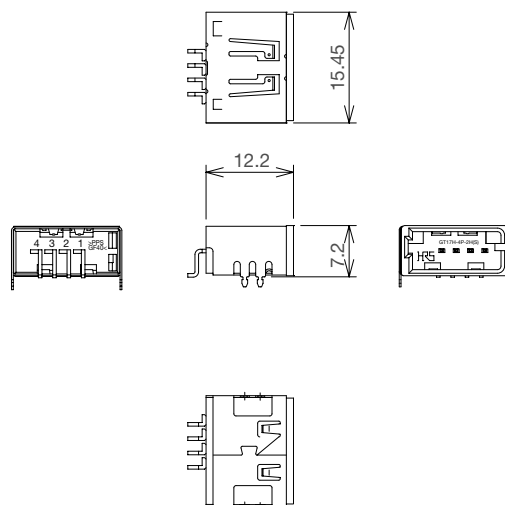
Standard Light gray	Key B Green
Key A Brown	Key C Blue

Part Number	CL No.	Color	Material / Finish	Packaging	RoHS
GT17H-4P-2H	767-0083-3	Light Gray	Housing:PPS Center terminal:Brass/Tin plating Outer terminal:Copper alloy/Tin plating	400 pcs.per reel	YES
GT17H-4S-2C(A)	767-0167-1	Brown			
GT17H-4S-2C(B)	767-0168-4	Green			
GT17H-4S-2C(C)	767-0169-7	Blue			

### 4-Conductor SMT Connector(Left side key)



GT17HR-4P-2H



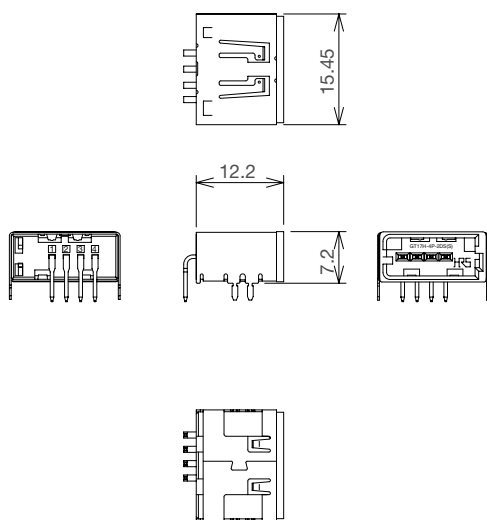
	Planning
Standard Light gray	Key B Green
Planning	Planning
Key A Brown	Key C Blue

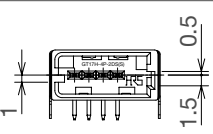
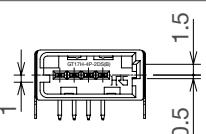
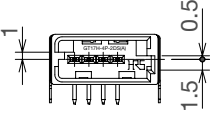
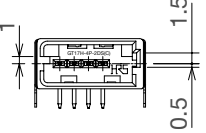
Part Number	CL No.	Color	Material / Finish	Packaging	RoHS
GT17HR-4P-2H	767-0146-1	Light Gray	Housing:PPS Center terminal:Brass/Tin plating Outer terminal:Copper alloy/Tin plating	400 pcs.per reel	YES

## 4-Conductor Printed Circuit Board Connector



**GT17H-4P-2DS**



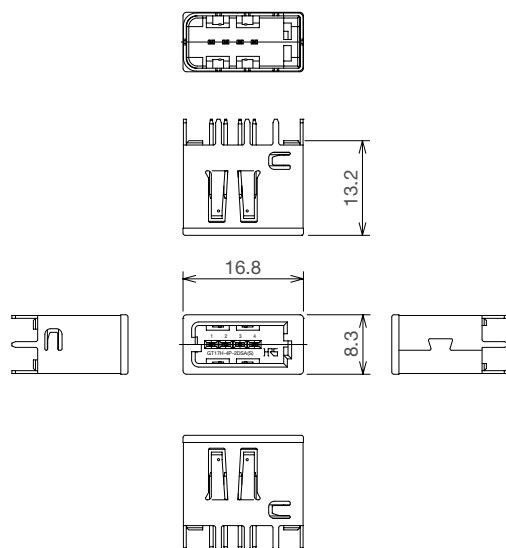
	
Standard Light gray	Key B Green
	
Key A Brown	Key C Blue

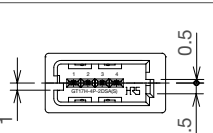
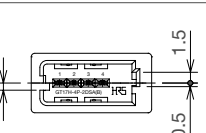
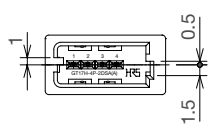
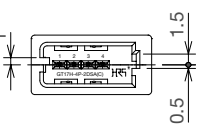
Part Number	CL No.	Color	Material / Finish	Packaging	RoHS
GT17H-4P-2DS	767-0166-9	Light Gray	Housing:PPS Center terminal:Brass/Tin plating Outer terminal:Copper alloy/Tin plating	300 pcs.per reel	YES
GT17H-4S-2DS(A)	767-0210-9	Brown			
GT17H-4S-2DS(B)	767-0211-1	Green			
GT17H-4S-2DS(C)	767-0212-1	Blue			

## 4-Conductor Printed Circuit Board Connector



**GT17H-4P-2DSA**



	
Standard Light gray	Key B Green
	
Key A Brown	Key C Blue

Part Number	CL No.	Color	Material / Finish	Packaging	RoHS
GT17H-4P-2DSA	767-0181-2	Light Gray	Housing:PPS Center terminal:Brass/Tin plating Outer terminal:Copper alloy/Tin plating	80 pcs.per tray	YES
GT17H-4P-2DSA(A)	767-0182-5	Brown			
GT17H-4P-2DSA(B)	767-0183-8	Green			
GT17H-4P-2DSA(C)	767-0184-0	Blue			

Coaxial cable connection of Antennas, Sensors, and Communication Trunk Lines

GT 5  
GT 13  
GT 16  
PO5G  
GT 11  
GT 14  
GT 17  
GT 19  
GT 3  
GT 6W  
GT 7  
GT 10  
GT 18W  
GT 15  
GT 8  
GT 9  
GT 25

Coaxial cable connection of Antennas, Sensors, and Communication Trunk Lines  
 GT 5  
 GT 13  
 GT 16  
 PO5G  
 GT 11  
 GT 14  
 GT 17  
 GT 19  
 GT 3  
 GT 6W  
 GT 7  
 GT 10  
 GT 18W  
 GT 15  
 GT 8  
 GT 9  
 GT 25

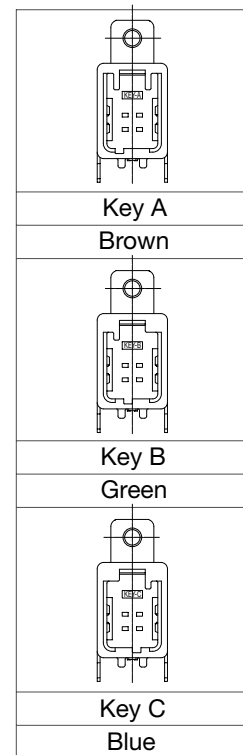
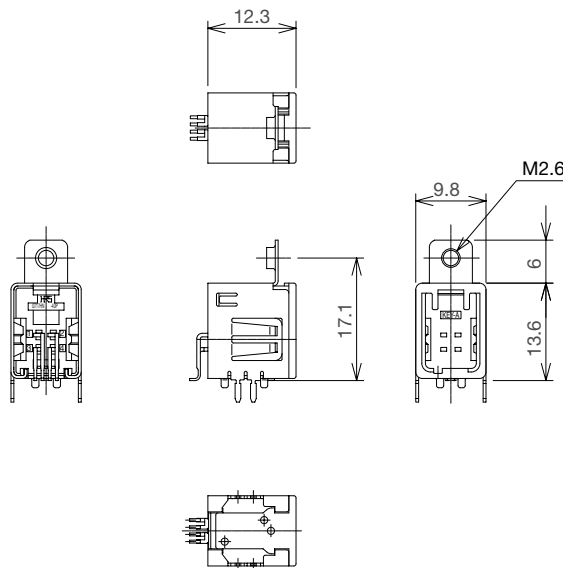
GT17 Series

## 4-Conductor SMT Connector

● With M2.6 screw flange



GT17HN-4DP-2H(A)

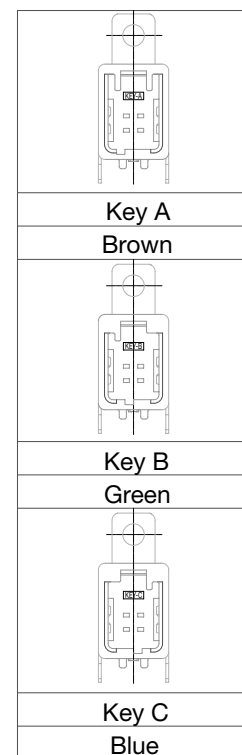
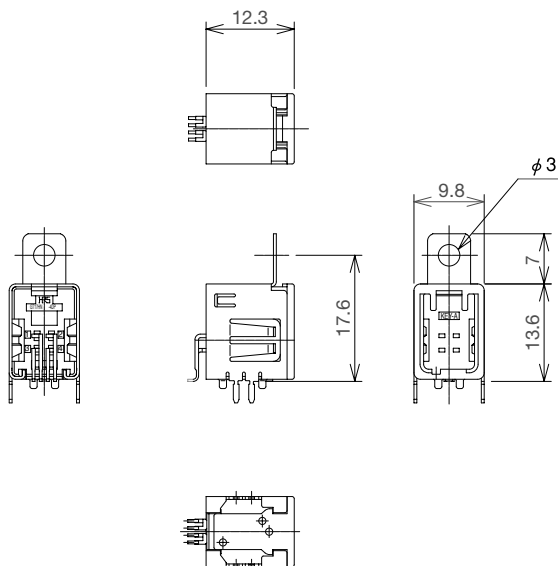


Part Number	CL No.	Color	Material / Finish	Packaging	RoHS
GT17HN-4DP-2H(A)	767-0144-6	Brown	Housing:PPS	60 pcs.per tray	YES
GT17HN-4DP-2H(B)	767-0175-0	Green	Center terminal:Brass/Tin plating		
GT17HN-4DP-2H(C)	767-0176-2	Blue	Outer terminal:Copper alloy/Tin plating		

● With 3.2 dia. hole flange



GT17HN-4DP-2H(A)(11)



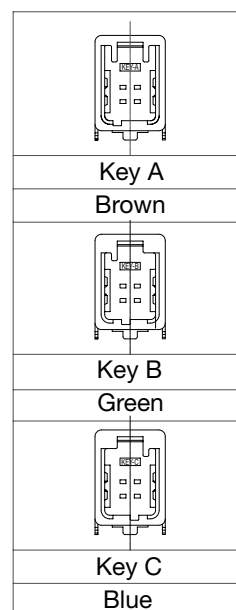
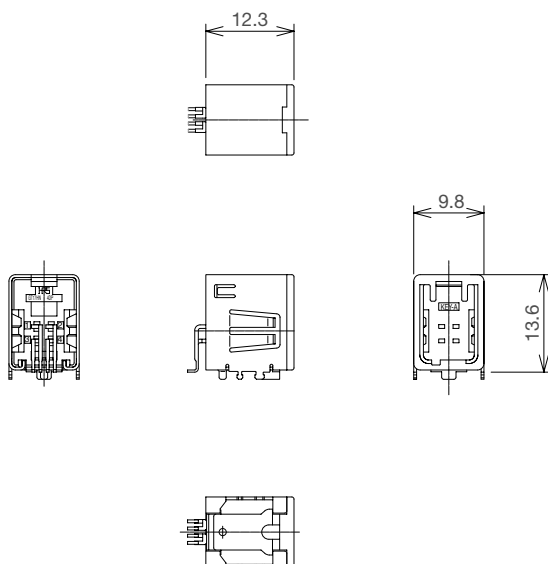
Part Number	CL No.	Color	Material / Finish	Packaging	RoHS
GT17HN-4DP-2H(A)(11)	767-0144-6-11	Brown	Housing:PPS	60 pcs.per tray	YES
GT17HN-4DP-2H(B)(11)	767-0175-0-11	Green	Center terminal:Brass/Tin plating		
GT17HN-4DP-2H(C)(11)	767-0176-2-11	Blue	Outer terminal:Copper alloy/Tin plating		



● Without flange



**GT17HN-4DP-2H(A)(14)**

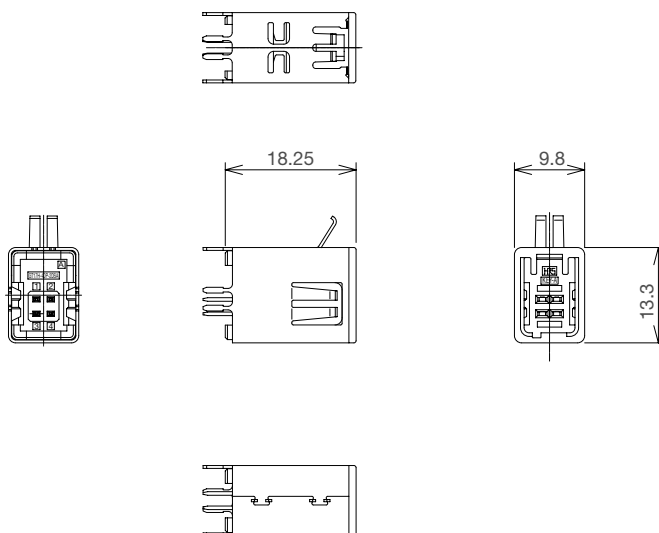


Part Number	CL No.	Color	Material / Finish	Packaging	RoHS
GT17HN-4DP-2H(A)(14)	767-0144-6-14	Brown	Housing:PPS	300 pcs.per reel	YES
GT17HN-4DP-2H(B)(14)	767-0175-0-14	Green	Center terminal:Brass/Tin plating		
GT17HN-4DP-2H(C)(14)	767-0176-2-14	Blue	Outer terminal:Copper alloy/Tin plating		

## ■ 4-Conductor Printed Circuit Board Connector



**GT17HJ-4DP-2DSA**



Part Number	CL No.	Color	Material / Finish	Packaging	RoHS
GT17HJ-4DP-2DSA	767-0144-6-14	Brown	Housing:PPS Center terminal:Brass/Tin plating Outer terminal:Copper alloy/Tin plating	65 pcs.per reel	YES

Coaxial cable connection of Antennas, Sensors, and Communication Trunk Lines

GT 5

GT 13

GT 16

PO5G

GT 11

GT 14

**GT 17**

GT 19

GT 3

GT 6W

GT 7

GT 10

GT 18W

GT 15

GT 8

GT 9

GT 25

GT17 Series

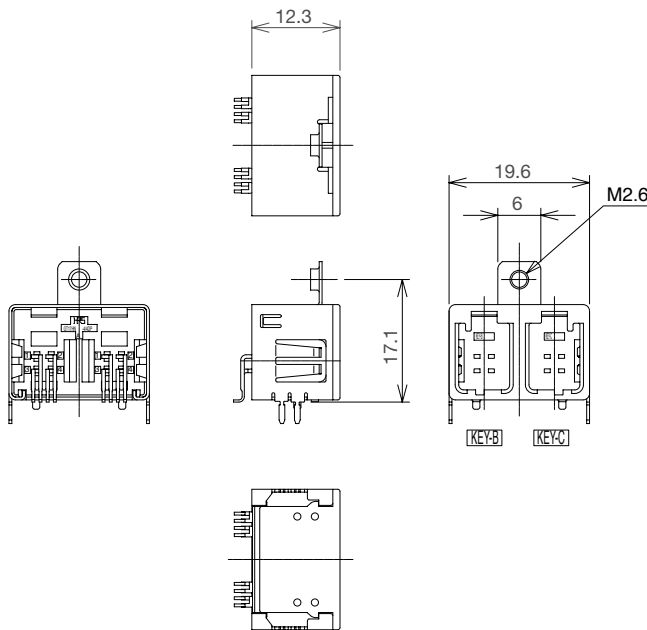
Coaxial cable connection of Antennas, Sensors, and Communication Trunk Lines  
 GT 5  
 GT 13  
 GT 16  
 PO5G  
 GT 11  
 GT 14  
 GT 17  
 GT 19  
 GT 3  
 GT 6W  
 GT 7  
 GT 10  
 GT 18W  
 GT 15  
 GT 8  
 GT 9  
 GT 25

## 4/4 Conductor SMT Connector

● With M2.6 screw flange



**GT17HN-4/4DP-2H(BC)**

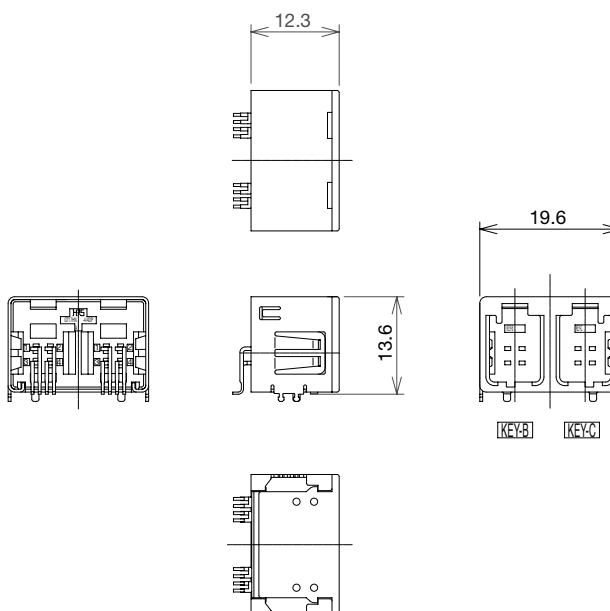


Part Number	CL No.	Color	Material / Finish	Packaging	RoHS
GT17HN-4/4DP-2H(BC)	767-0145-9	Light gray	Housing:PPS Center terminal:Brass/Tin plating Outer terminal:Copper alloy/Tin plating	40 pcs.per tray	YES

● Without flange



**GT17HN-4/4DP-2H(BC)(14)**



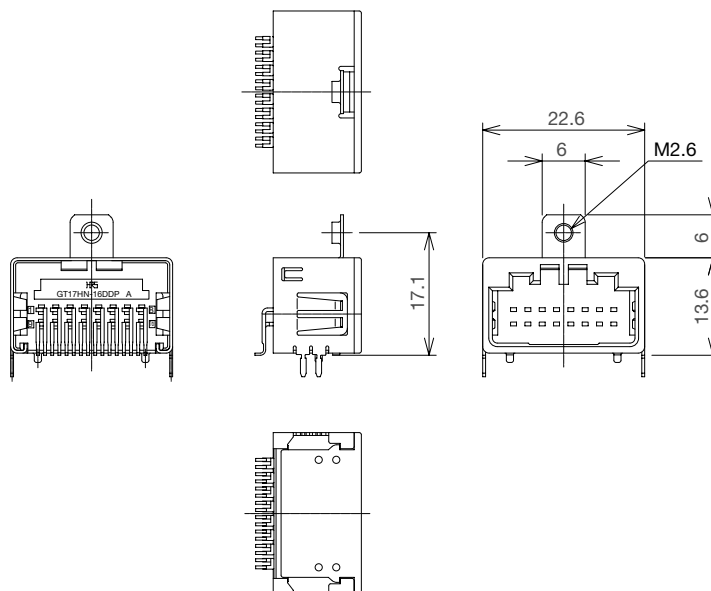
Part Number	CL No.	Color	Material / Finish	Packaging	RoHS
GT17HN-4/4DP-2H(BC)(14)	767-0145-9-14	Light gray	Housing:PPS Center terminal:Brass/Tin plating Outer terminal:Copper alloy/Tin plating	200 pcs.per reel	YES

## 16 Conductor SMT Connector

● With M2.6 screw flange



**GT17HN-16DP-2H**

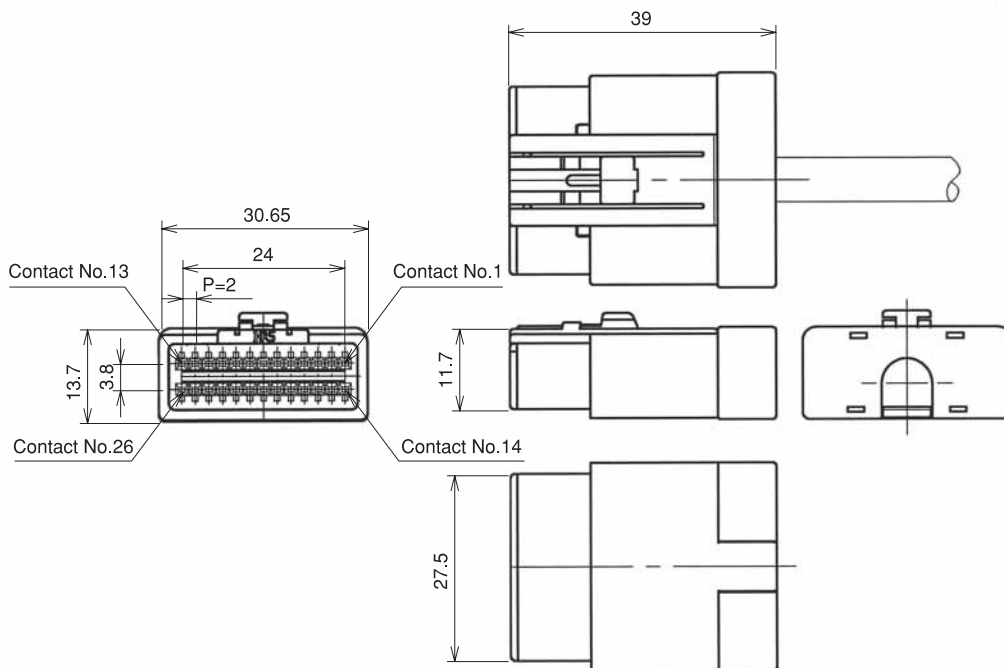


Part Number	CL No.	Color	Material / Finish	Packaging	RoHS
GT17HN-16DP-2H	767-0153-7	Light gray	Housing:PPS Center terminal:Brass/Tin plating Outer terminal:Copper alloy/Tin plating	40 pcs.per tray	YES

GT17 Series

Coaxial cable connection of Antennas, Sensors, and Communication Trunk Lines  
 GT 5  
 GT 13  
 GT 16  
 PO5G  
 GT 11  
 GT 14  
**GT 17**  
 GT 19  
 GT 3  
 GT 6W  
 GT 7  
 GT 10  
 GT 18W  
 GT 15  
 GT 8  
 GT 9  
 GT 25

## 26-Conductor Straight Connectors



◆ The product comprises 6 parts.  
 (Housing, insulator, outer terminal, shield plate, retainer, and center terminal)

● Housing

Part Number	CL No.	Material / Finish or Color	Packaging	RoHS
GT17H-26DS-HU	767-0094-0	PBT / Light Gray	1	YES

● Insulator

Part Number	CL No.	Material / Finish or Color	Packaging	RoHS
GT17H-26DS-2C	767-0095-2	PBT / Dark Gray	1	YES

● Outer terminal

Part Number	CL No.	Material / Finish or Color	Packaging	RoHS
GT17H-26DS-6.5CF	767-0097-8	Copper alloy / Tin plating	pack	YES

● Shield plate

Part Number	CL No.	Material / Finish or Color	Packaging	Remarks	RoHS
GT17H-26DS-SC	767-0096-5	Copper alloy / Tin plating	pack	612pcs per pack	YES

● Retainer

Part Number	CL No.	Material / Finish or Color	Packaging	RoHS
GT17H-26DS-R	767-0098-0	PBT / Dark Gray	1	YES

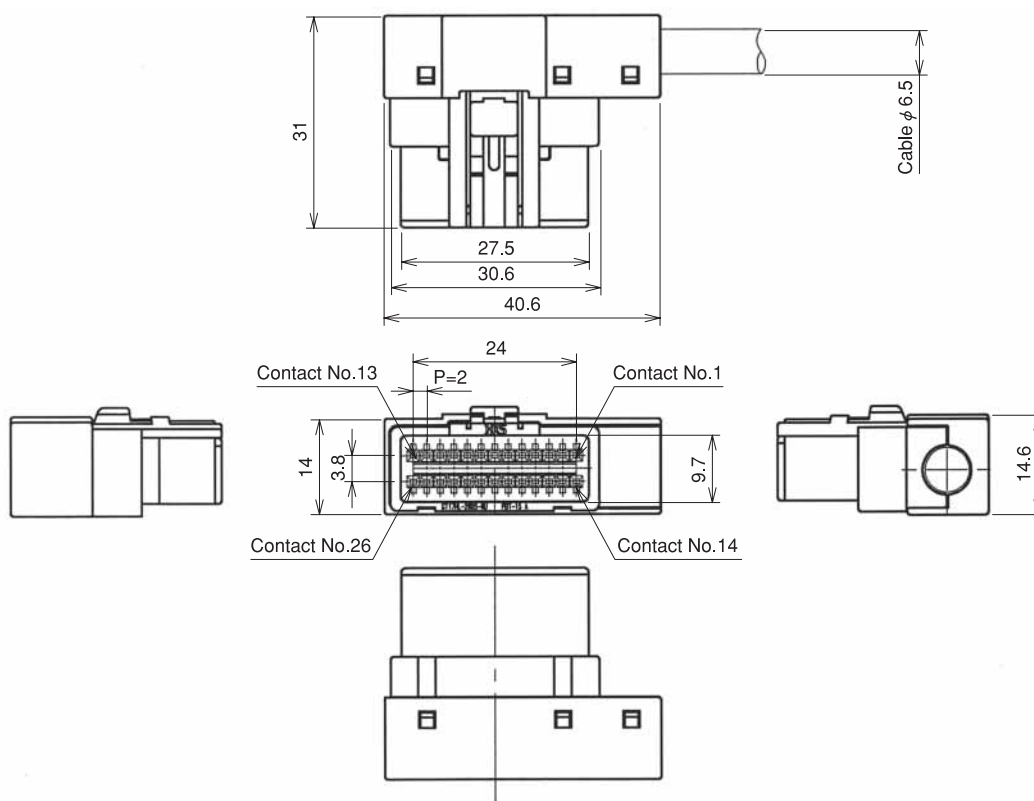
● Center terminal

Part Number	CL No.	Material / Finish or Color	Conductor Size	Sheath Diameter	Notes	RoHS
GT25-2428SCF	758-0013-2	Copper alloy / Tin plating	AWG#24~28	φ 1.3~1.5	1 reel (10,000 pieces)	YES
GT25-2630SCF	758-0012-0	Copper alloy / Tin plating	AWG#26~30	φ 0.7~1.0	1 reel (10,000 pieces)	

◆ Mating Table

Color	Cable side connector	Board connector
Gray	GT17H-26DS-HU	GT17H-26DP-DS(Board type)
		GT17H-26DP-HU(In-line type)

## 26-Conductor Right-angle Connectors (Left Bend)



◆The product comprises 6 parts.

(Housing, insulator, outer terminal, shield plate, retainer, and center terminal)

●Housing

Part Number	CL No.	Material / Finish or Color	Packaging	RoHS
GT17HL-26DS-HU	767-0099-3	PBT / Light Gray	1	YES

●Insulator

Part Number	CL No.	Material / Finish or Color	Packaging	RoHS
GT17H-26DS-2C	767-0095-2	PBT / Dark Gray	1	YES

●Outer terminal

Part Number	CL No.	Material / Finish or Color	Packaging	Remarks	RoHS
GT17HL-26DS-6.5CF	767-0101-3	Copper alloy / Tin plating	pack	612pcs per pack	YES

●Shield plate

Part Number	CL No.	Material / Finish or Color	Packaging	Remarks	RoHS
GT17HL/R-26DS-SC	767-0100-0	Copper alloy / Tin plating	pack	612pcs per pack	YES

●Retainer

Part Number	CL No.	Material / Finish or Color	Packaging	RoHS
GT17HL-26DS-R	767-0102-6	PBT / Dark Gray	1	YES

●Center terminal

Part Number	CL No.	Material / Finish or Color	Line Size	Cover Size	Note	RoHS
GT25-2428SCF	758-0013-2	Copper alloy / Tin plating	AWG#24~28	$\phi$ 1.3~1.5	10,000pcs per pack	YES
GT25-2630SCF	758-0012-0	Copper alloy / Tin plating	AWG#26~30	$\phi$ 0.7~1.0	10,000pcs per pack	

◆ Mating Table

Color	Cable side connector	Board connector
Gray	GT17HL-26DS-HU	GT17H-26DP-DS(Boad type)
		GT17H-26DP-HU(In-line type)

Coaxial cable connection of Antennas, Sensors, and Communication Trunk Lines

GT 3

GT 6W

GT 7

GT 10

GT 18W

GT 15

GT 8

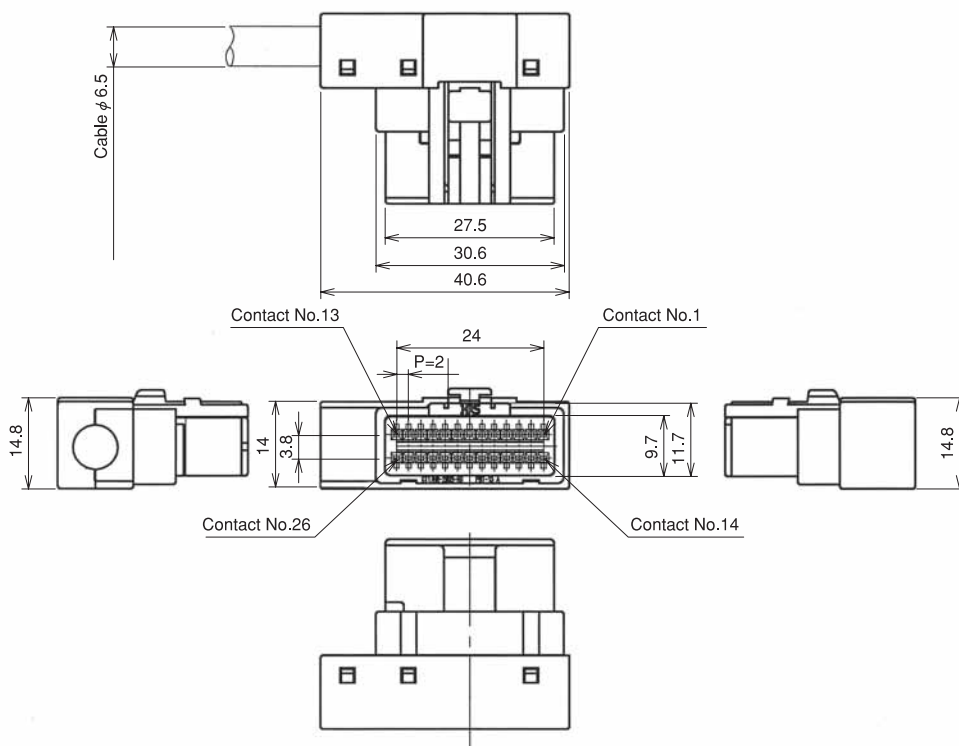
GT 9

GT 25

GT17 Series

Coaxial cable connection of Antennas, Sensors, and Communication Trunk Lines  
 GT 5  
 GT 13  
 GT 16  
 PO5G  
 GT 11  
 GT 14  
 GT 17  
 GT 19  
 GT 3  
 GT 6W  
 GT 7  
 GT 10  
 GT 18W  
 GT 15  
 GT 8  
 GT 9  
 GT 25

## 26-Conductor Straight Connectors (Right Bend)



◆ The product comprises 6 parts.  
 (Housing, insulator, outer terminal, shield plate, retainer, and center terminal)

● Housing

Part Number	CL No.	Material / Finish or Color	Packaging	RoHS
GT17HR-26DS-HU	767-0118-6	PBT / Light Gray	1	YES

● Insulator

Part Number	CL No.	Material / Finish or Color	Packaging	RoHS
GT17H-26DS-2C	767-0095-2	PBT / Dark Gray	1	YES

● Outer terminal

Part Number	CL No.	Material / Finish or Color	Packaging	Remarks	RoHS
GT17HR-26DS-6.5CF	767-0119-9	Copper alloy / Tin plating	pack	612pcs per pack	YES

● Shield plate

Part Number	CL No.	Material / Finish or Color	Packaging	Remarks	RoHS
GT17HL/R-26DS-SC	767-0100-0	Copper alloy / Tin plating	pack	612pcs per pack	YES

● Retainer

Part Number	CL No.	Material / Finish or Color	Packaging	RoHS
GT17HR-26DS-R	767-0120-8	PBT / Dark Gray	1	YES

● Center terminal

Part Number	CL No.	Material / Finish or Color	Line Size	Cover Size	Note	RoHS
GT25-2428SCF	758-0013-2	Copper alloy / Tin plating	AWG#24~28	φ 1.3~1.5	10,000pcs per pack	YES
GT25-2630SCF	758-0012-0	Copper alloy / Tin plating	AWG#26~30	φ 0.7~1.0	10,000pcs per pack	

◆ Mating Table

Color	Cable side connector	Board connector
Gray	GT17HR-26DS-HU	GT17H-26DP-DS(Board type)
		GT17H-26DP-HU(In-line type)

## 26-Conductor Printed Circuit Board Connectors (Color: Light Gray)

Part Number	CL No.	Material / Finish or Color	Packaging	RoHS
GT17H-26DP-DS	767-0088-7	Housing: PBT/Light gray Center terminal: Brass/Tin plating Outer terminal: Copper alloy/Tin plating	1	YES

