

# KSU Series Micro Mini Surface Mount Detect Switches

*New!*



## Features/Benefits

- **New multi contact construction**
- **Metal actuator**
- **Low actuating force**
- **Gold contacts**
- **Compatible with pick and place machines**

## Typical Applications

- **Mobile phones and other handheld devices**
- **Portable medical devices**
- **Audio devices**
- **Automotive**
- **Alarm devices**
- **Payment terminals**

## Specifications

FUNCTION: Momentary action.  
 CONTACT TYPE: SPST Normally open.  
 TERMINALS: 4 SMT terminals.  
 MAXIMUM POWER: 0.2 VA  
 MIN./MAX. VOLTAGE: 20 mV – 50 VDC.  
 MIN./MAX. CURRENT: .01 mA – 0.01 A.  
 LOW LEVEL USE: 20 mV – 0.01 mA.  
 DIELECTRIC STRENGTH:  $\geq 250$  Vrms.  
 CONTACT RESISTANCE:  $\leq 100$  m $\Omega$ .  
 INSULATION RESISTANCE: (100 VDC)  $10^9 \Omega$ .  
 BOUNCE TIME: < 3 ms.

ACTUATING FORCE: 1,1 N  $\pm 0,8$  N  
 TRAVEL TO MAKE: 0,65 mm - 0,45/+0,25 mm  
 MAXIMUM FORCE at max travel: 1,8 N  
 OPERATING TEMPERATURE: -40°C to +125°C.  
 MECHANICAL & ELECTRICAL LIFE: 100,000 cycles.  
 SOLDERABILITY: Infrared reflow.  
 PACKAGING: Delivered on tape & reel of 1000 pieces. The reel diameter is 330mm (12.992). The tape dimensions conform to the EIA-481 and EC-286-3 norms.  
 STORAGE TEMPERATURE: -55°C to + 125°C.

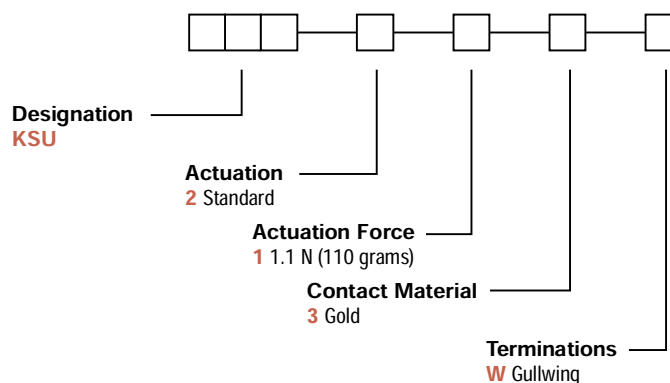
**NOTE:** Specifications listed above are for switches with standard options. For information on specific and custom switches, consult Customer Service Center.

## Build-A-Switch

To order, simply select desired option from each category and place in the appropriate box. Available options are shown and described on page E-5. For additional options not shown in catalog, consult our Customer Service Center.



Detect

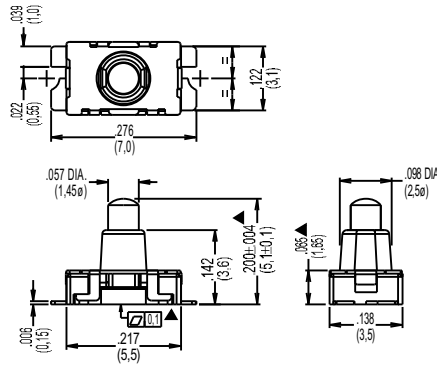


New!

# KSU Series Micro Mini Surface Mount Detect Switches

## DESIGNATION

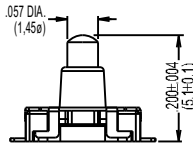
KSU



KSU213W  
SPST

## ACTUATION

2 STANDARD



## ACTUATION FORCE

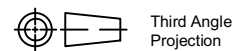
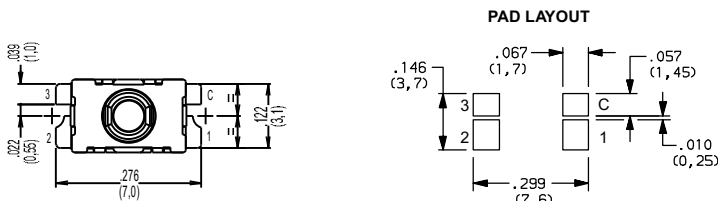
1 1.1 N (110 GRAMS)

## CONTACT MATERIAL

3 GOLD, 4 REDUNDANT CONTACTS

## TERMINATION

W GULLWING



Third Angle  
Projection

Dimensions are shown: IN (mm)  
Dimensions subject to change



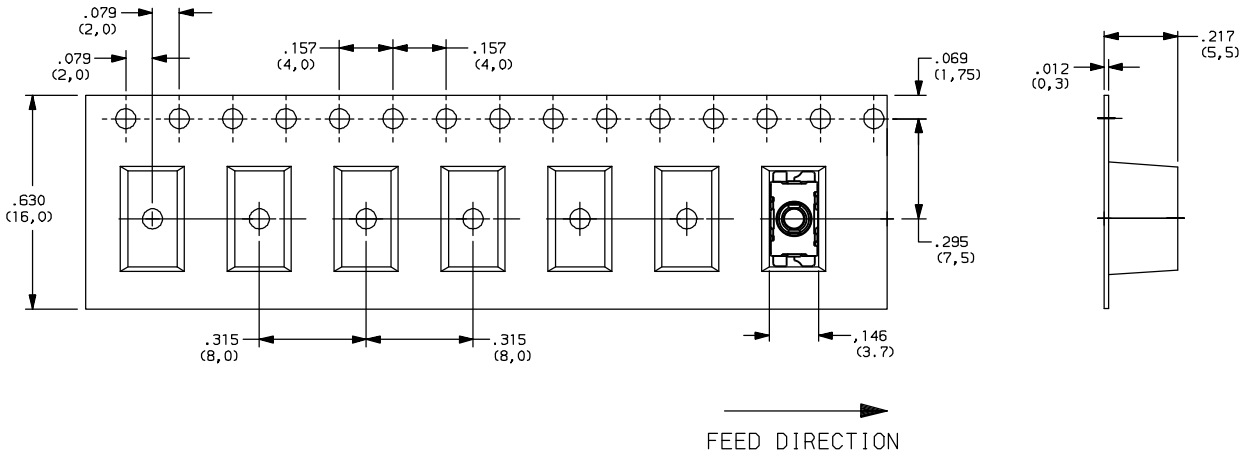
E

Detect

# KSU Series Micro Mini Surface Mount Detect Switches

*New!*

## TAPE & REEL



Detect