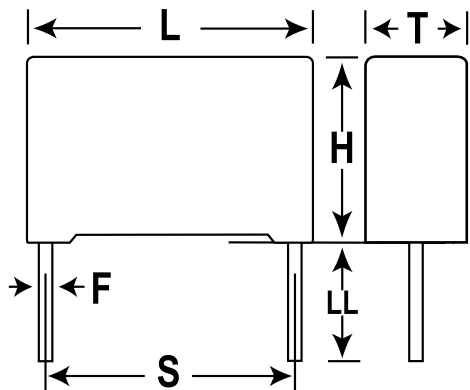


KEMET Part Number: PHE426DJ6100HR05
(F426JT104R100C)

PHE426/F426, Film, Metallized Polypropylene, Commercial Grade, 0.1 uF, 2.5%, 100 V, 85C, Lead Spacing = 5mm



General Information	
Supplier:	KEMET
Series:	PHE426/F426
Dielectric:	Metallized Polypropylene
Style:	Radial
Features:	Pulse
RoHS:	Yes
Lead:	Wire Leads
AEC-Q200:	No
Notes:	Not For New Design, Please Check Possible Alternative Parts (AltPart)

Dimensions	
L	7.2mm MAX
H	11mm MAX
T	6mm MAX
S	5mm +/-0.4mm
LL	5mm NOM
F	0.5mm NOM

Specifications	
Capacitance:	0.1 uF
Capacitance Tolerance:	2.5%
Voltage DC:	100 VDC, 74 VDC (105C)
Voltage AC:	63 VAC
Temperature Range:	-55/+105C
Rated Temperature:	85C
Dissipation Factor:	0.05% 1kHz, 0.25% 100kHz
Insulation Resistance:	100 GOhms
Max dVdt:	40 V
Inductance:	6 nH

Packaging Specifications	
Packaging:	Bulk
Packaging Quantity:	1000